

Receiver

From

Company
Reference
Address
Phone
Fax
E-mail

Item n° : 60209373
Customer pos. no.:

Model :
DIVERTRON 900 M

Pump data

Pressure rating :
Min. fluid temperature : 0 °C
Max. fluid temperature : 40 °C
Max. Ambient temperature :

Requested data

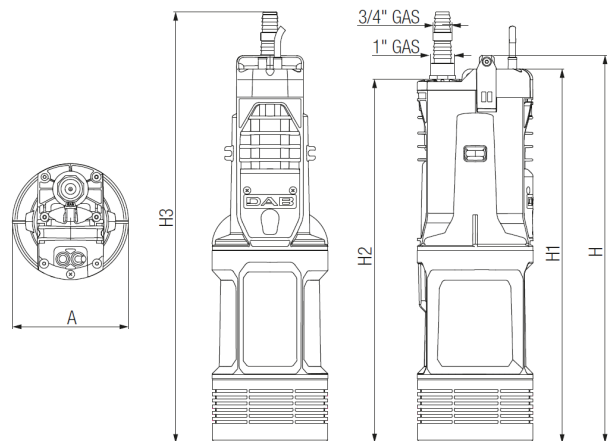
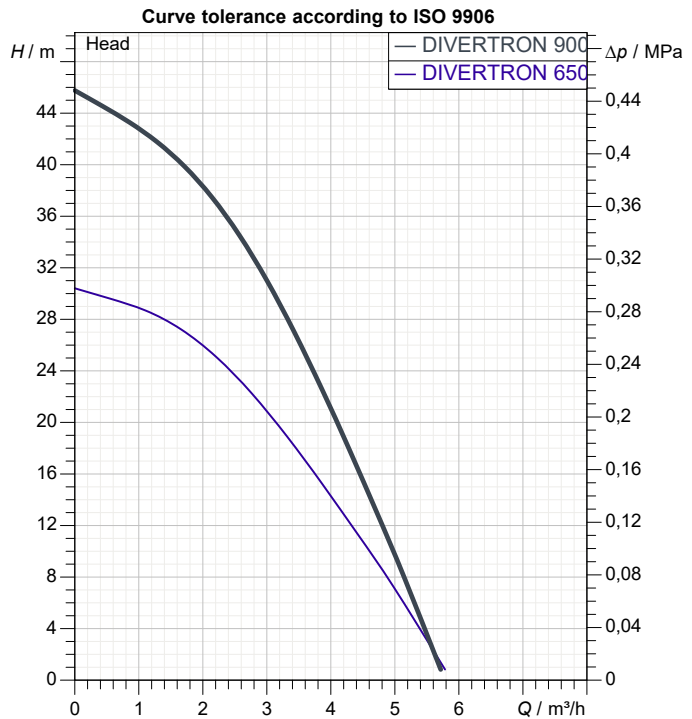
Flow :
Head :
Fluid : Water
Fluid Temperature : 20 °C
Density : 998,3 kg/m³
Kinematic viscosity : 1,005 mm²/s
Vapor pressure : 0,00234 MPa

Hydraulic data (duty point)

Flow :
Head :

Materials

Base	Technopolymer
Inspection cap	EPDM
Nut	Stainless Steel A2
Stage housing	Technopolymer
Wear ring	Technopolymer
Washer	Stainless Steel A2
Diffuser	Technopolymer



Motor data

Motor brand : DAB
Nominal power P2 : 0,56 kW
Rated voltage : 1~ 220-240 V
Nominal current : 4,2 A
Number of poles : 2
Rated speed : 2.800 1/min
Degree of protection : IP 68

Weight : 11 kg

Dimensions in mm

A	160				
H	536				
H1	517				
H2	503				
H3	596				

Pump connection

Suction side : /
Discharge side : 1" G / --



PERFORMANCE CURVES

2023-03-17

Page 2 / 3

DAB PUMPS S.p.A.
Via Marco Polo, 14 - 35035 Mestrino (PD), Italy
Tel. +39 049 5125000 - Fax +39 049 5125950
www.dabpumps.com

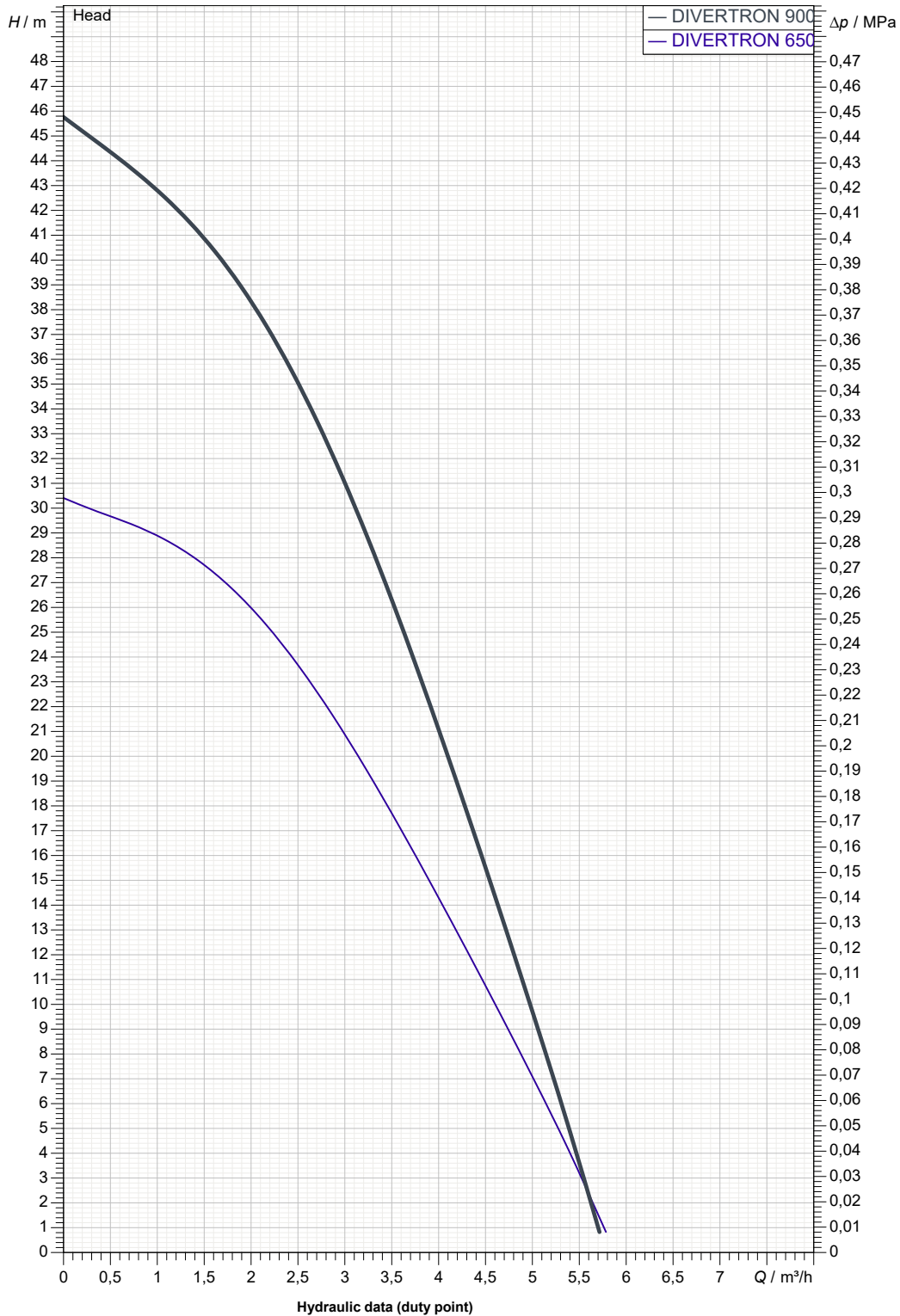
Receiver

From

Company
Reference
Address
Phone
Fax
E-mail

DIVERTRON 900 M

Curve tolerance according to ISO 9906



Suction side :

Discharge side :
1" G
--

Flow :

Head :

Rated speed :
2.800 1/min

MAIN_PROJECT_TITLE

BUSINESS_PROCESS_ID

OWNER_

ISSUE_DATE

2023-03-17



DIMENSIONAL DRAWING

2023-03-17

Page 3 / 3

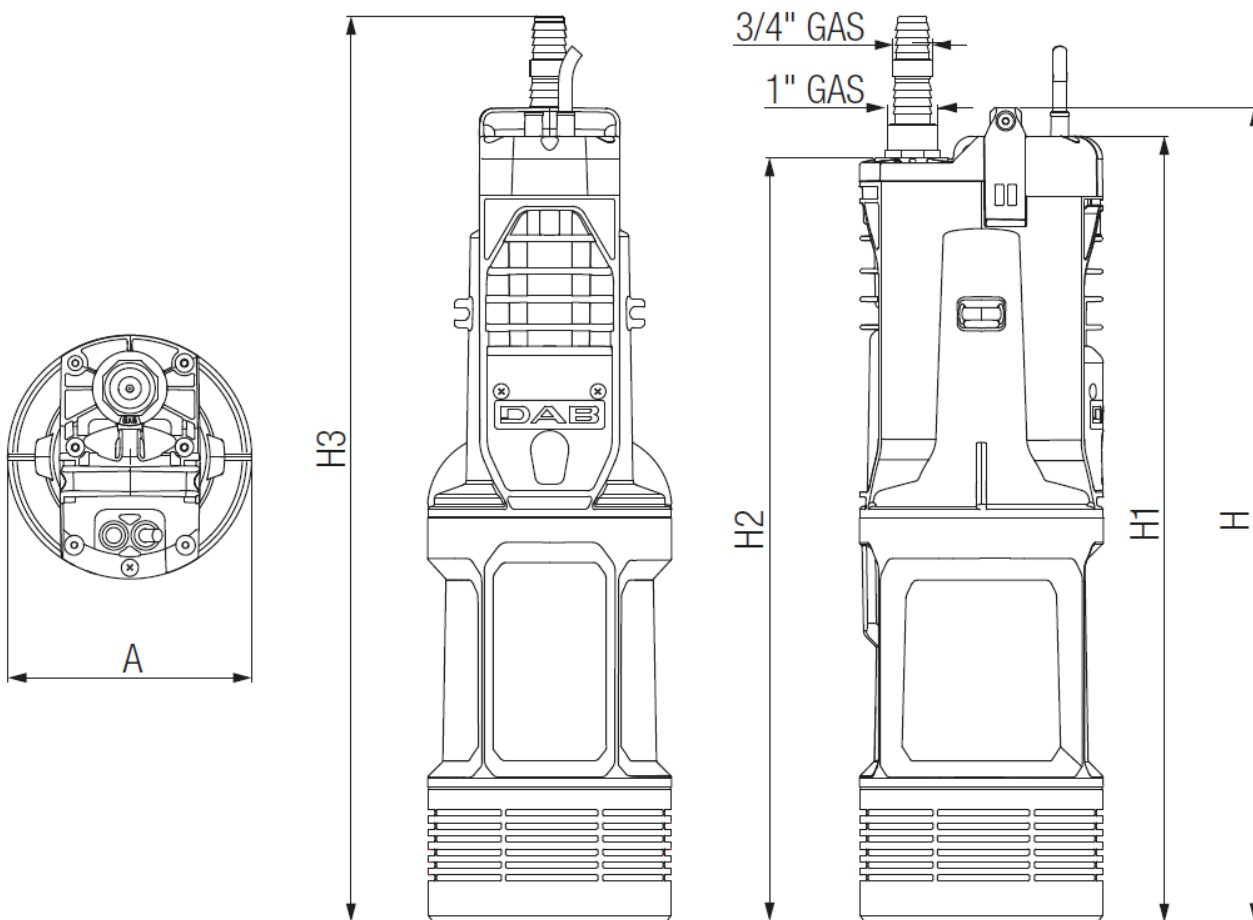
DAB PUMPS S.p.A.
Via Marco Polo, 14 - 35035 Mestrino (PD), Italy
Tel. +39 049 5125000 - Fax +39 049 5125950
www.dabpumps.com

Receiver

From

Company
Reference
Address
Phone
Fax
E-mail

DIVERTRON 900 M



Dimensions in mm

Pump connection

1
2
3
4
5
6
7
8
9
10
11

A	160
H	536
H1	517
H2	503
H3	596

Suction

Discharge
1" G
--

MAIN_PROJECT_TITLE

BUSINESS_PROCESS_ID

OWNER_

ISSUE_DATE

2023-03-17