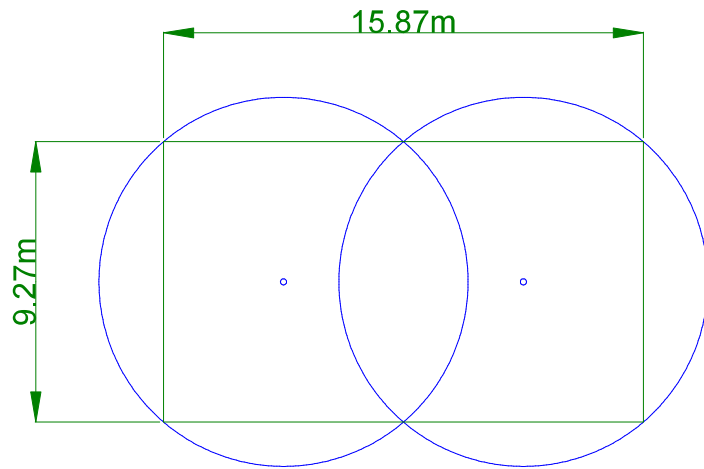
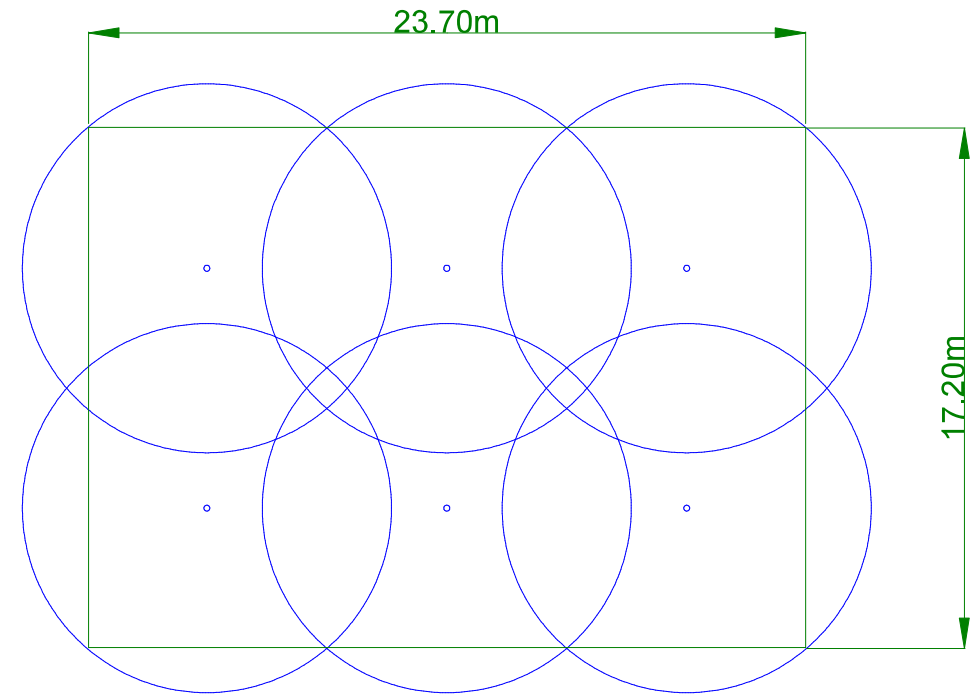


1.5 nozzle 1.7 bar pressure

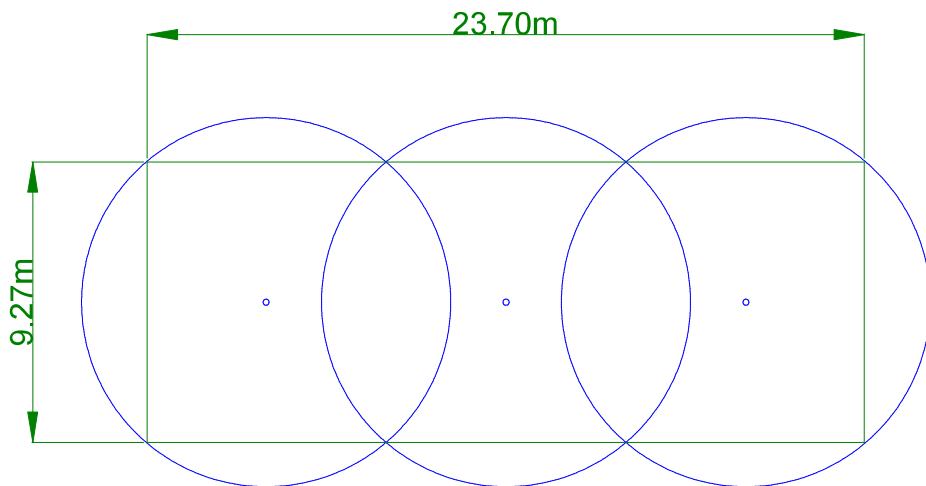
Overlap on 130% of radius



**SLW2**



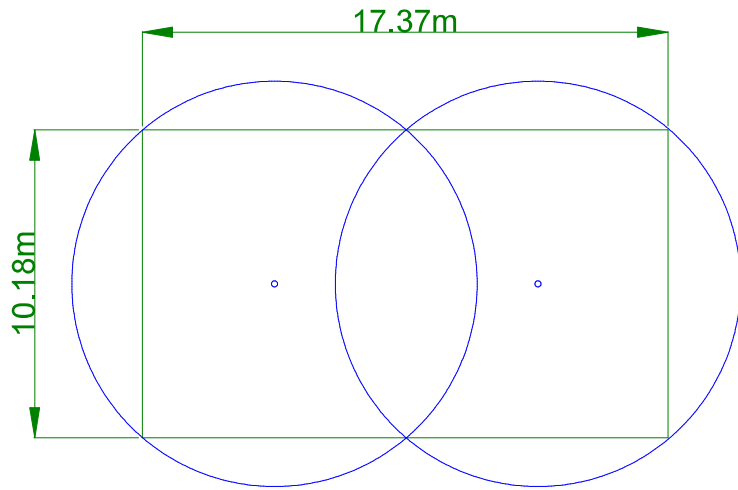
**SLW6**



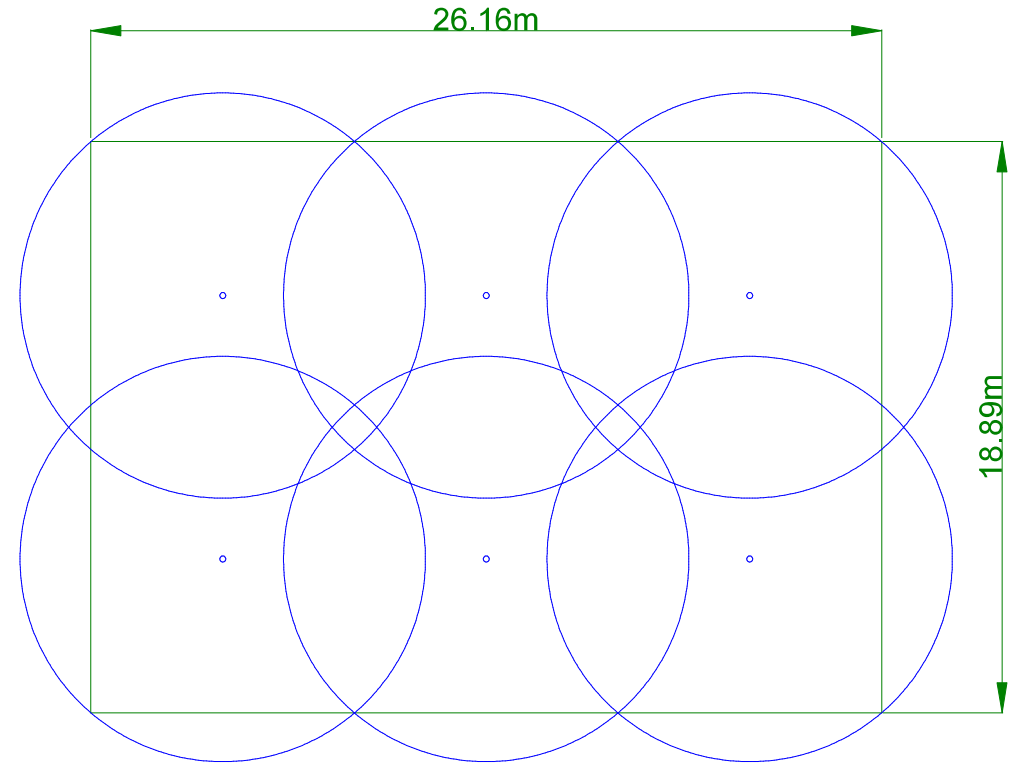
**SLW3**

1.5 nozzle 2.8 bar pressure

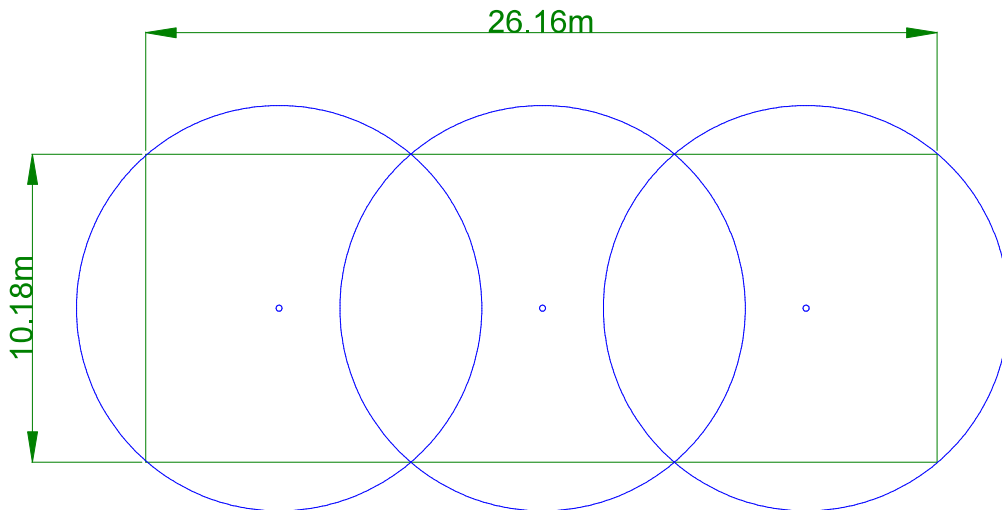
Overlap on 130% of radius



**SLW2**



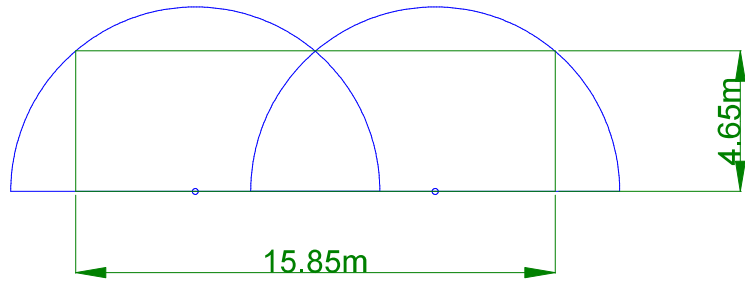
**SLW6**



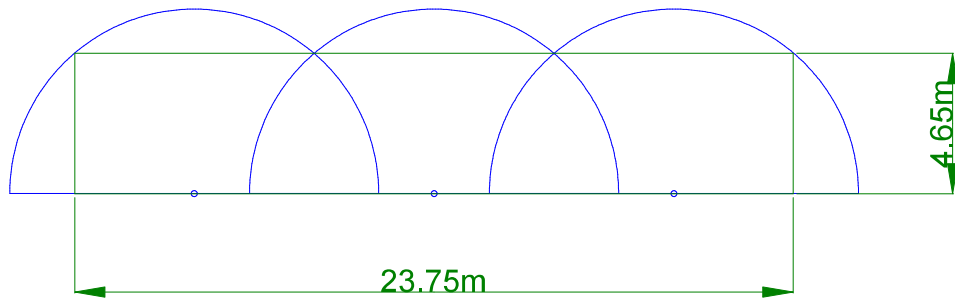
**SLW3**

1.5 nozzle 1.7 bar pressure

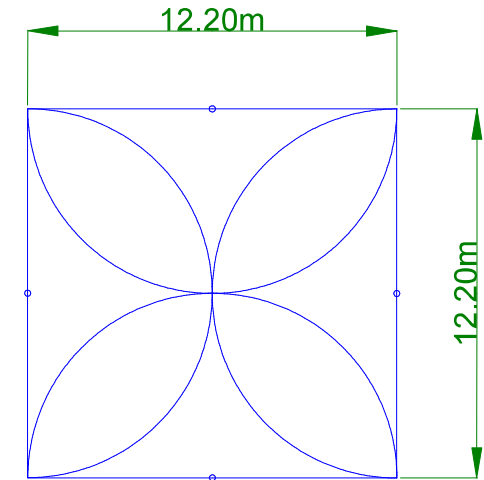
Half Circle



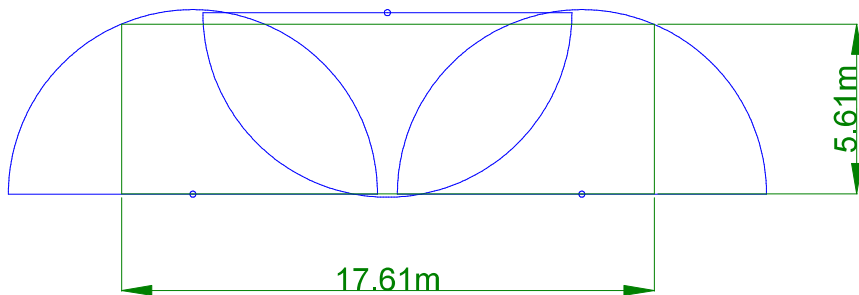
**SLW2**



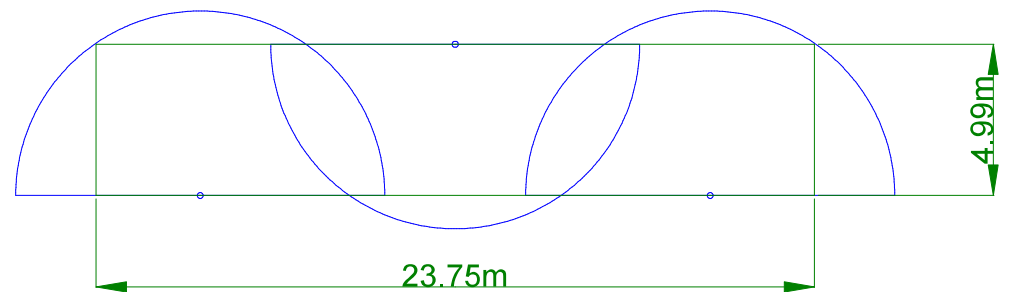
**SLW3**



**SLW2 x 2**



**SLW3**

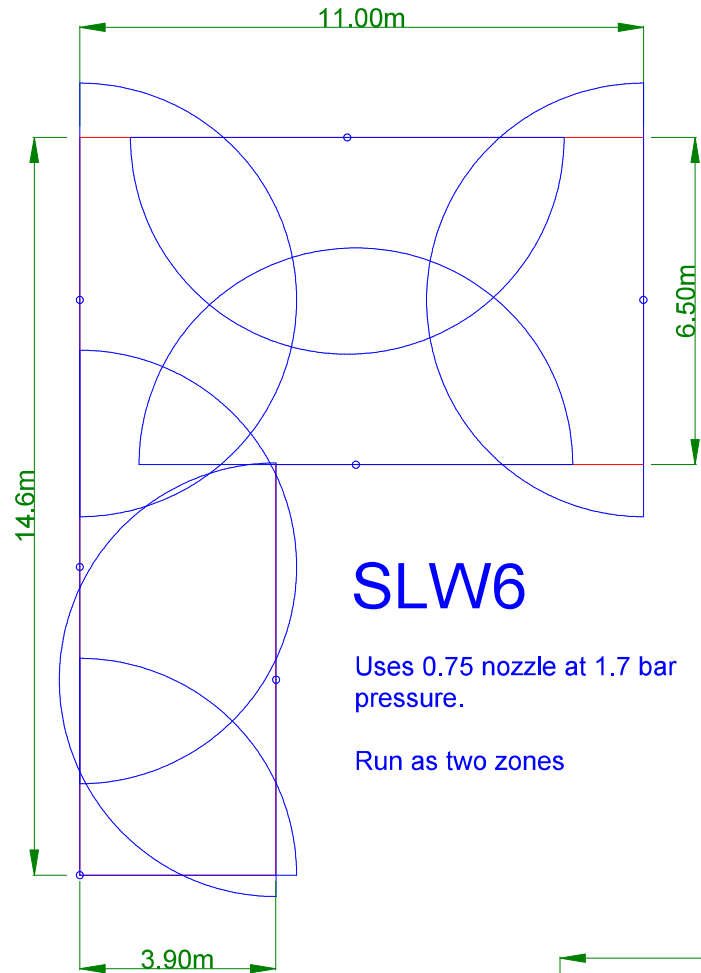


**SLW3**

I115-sprinkler kits  
drawing  
Rev: 0 Sept 2018  
\\instructions\commercial  
1.7 bar half circle

# Small garden layouts

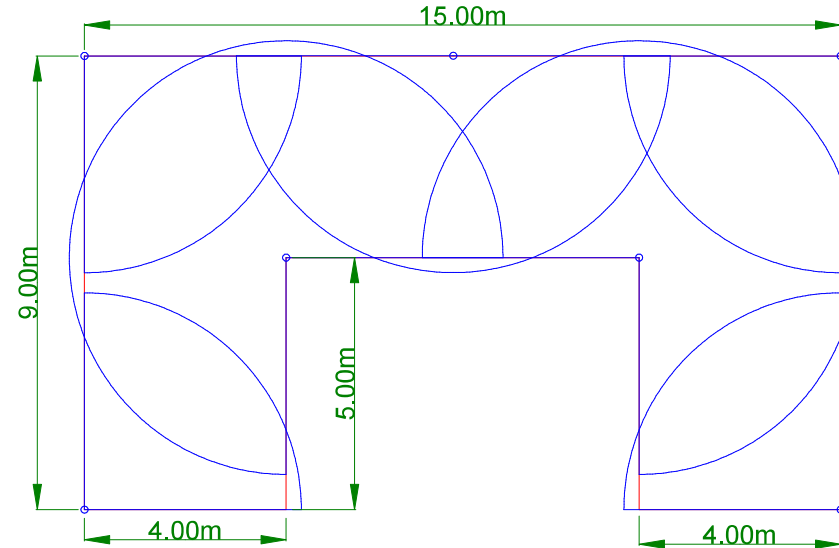
Ideally run different arcs on separate zones



## SLW6

Uses 0.75 nozzle at 1.7 bar pressure.

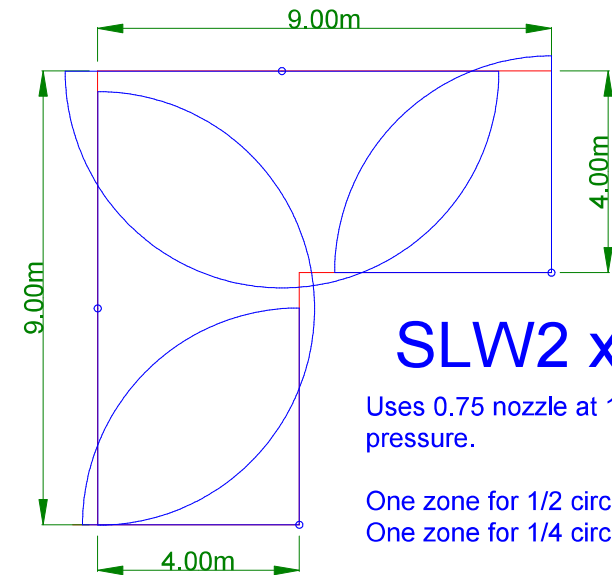
Run as two zones



## SLW6

Uses 0.75 nozzle at 1.7 bar pressure.

Run as two zones with 1/4 circles on the same zone



## SLW2 x 2

Uses 0.75 nozzle at 1.7 bar pressure.

One zone for 1/2 circle  
One zone for 1/4 circle

## SLW3

Uses 0.75 nozzle at 1.7 bar pressure.

Purchase another FLE20-3F tee if running the centre sprinkler on a separate zone

