

# ACCESS DRIPLINE WATERING SYSTEMS

## Description of kits

All kits include Permadrip dripline for efficient watering of shrub borders or hedge lines.

List of contents					
CODE	DESCRIPTION	SPBK25	SPBK	SHBK25	SHBK
TNP0.3	Permadrip dripline 0.3m spacing	--	--	25m	100m
TNP0.5	Permadrip dripline 0.5m spacing	25m	100m	--	--
ESS16	Plastic anchorage pegs	25	100	25	100
FBM16-T	Barbed fittings mixed pack	1	2	--	--
FBSP16	Dripline starter kit	1	1	1	1

## Supply requirements

The system will require a minimum pressure of 0.8bar. Max pressure: 3.5 bar. Unroll the coil of dripline *cartwheel fashion* to avoid kinking.

## Fittings

### Barbed type

To fit barbed fittings, firstly cut the dripline square and ensure the cut is between dripper outlets. Using hot water dip the end of the pipe and leave for a few seconds. Then push the pipe in an up and down movement onto the barbs and fully up to the stop.

### Foldover type

The ends of the dripline are sealed using a foldover stopend. Push 100mm of pipe through one of the loops, kink it over and then slide the stopend back and over the kinked end.

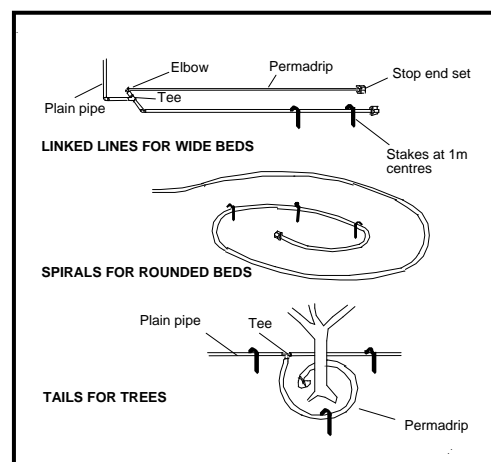
## System layout (border kit)

Lay the first line approximately 0.25m from the edge of the border then lay subsequent lines 0.5m apart. The dripline can also be laid as a continuous loop as long as it doesn't kink. The dripline can be used as a header to link lines together using barbed tees or elbows as required.

Secure the dripline using the plastic anchorage pegs spaced at 1m intervals or as required to hold the dripline flat to the soil surface.

## System layout (hedge kit)

Lay the dripline along the hedge and secure using anchorage pegs. Fit the entry fitting at the start of the run and the stop end at the far end.



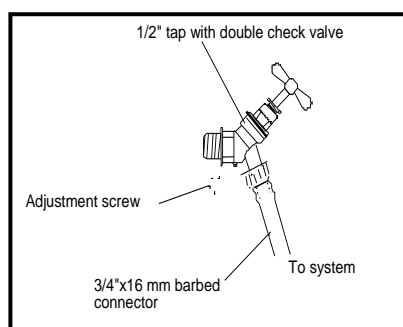
## System supply

### Outdoor tap

If using an outdoor hose union type tap, fit the filter washer (P67) into the barbed entry adaptor (FBK16-3F) and screw firmly onto the tap outlet. Connect the supply end of the dripline onto the barbs of the fitting.

### Hose supply

If using a hose to supply the system, fit the filter washer into the brass snap entry adaptor (FQCBT3) and screw into the barbed connector FBK16-3.



If the tap is some way from the dripline purchase a coil of 16mm polythene pipe (PA16-25M) and use the straight connector (FBK16) to join onto the dripline.

### **Testing the system**

Undo any dripline stopends and slowly turn on the water supply for a few seconds. This will flush out any debris that may be present in the pipework. Refit the stopends and turn the supply back on then check for leaks rectify as necessary.

### **Operating the system**

***Recommended watering time:*** Daily 30-45mins

It is best to water the border area early morning if practicable. The above times are for guidance only and may need to be altered according to season, plant type, aspect etc. the daily operating time can be split if required. If watering every other day or weekly multiply daily rate accordingly.

### ***Maintenance***

The system is not designed to run through the Winter months and should be drained down if practicable. The supply connection should be disconnected and any water drained out.

### **Options**

Plain pipe, additional dripline and fittings are available.

The addition of a battery timer will enable the system to be automated.

If pressure and flow is not sufficient or if the Water Authority require, a Cat '5' pressure booster set can be supplied.

If you have any queries regarding this kit or options available please contact our sales department.

**UK water regulations require backflow prevention. The Local Water Authority must be consulted for specific requirements prior to installing this system.**

ACCESS Irrigation Ltd, Crick, NORTHAMPTON NN6 7XS  
Tel: 01788 823811  
web: [www.access-irrigation.co.uk](http://www.access-irrigation.co.uk) e-mail: [sales@access-irrigation.co.uk](mailto:sales@access-irrigation.co.uk)

**Irrigation systems should only be installed  
by a competent person**