



Tennis Court Watering

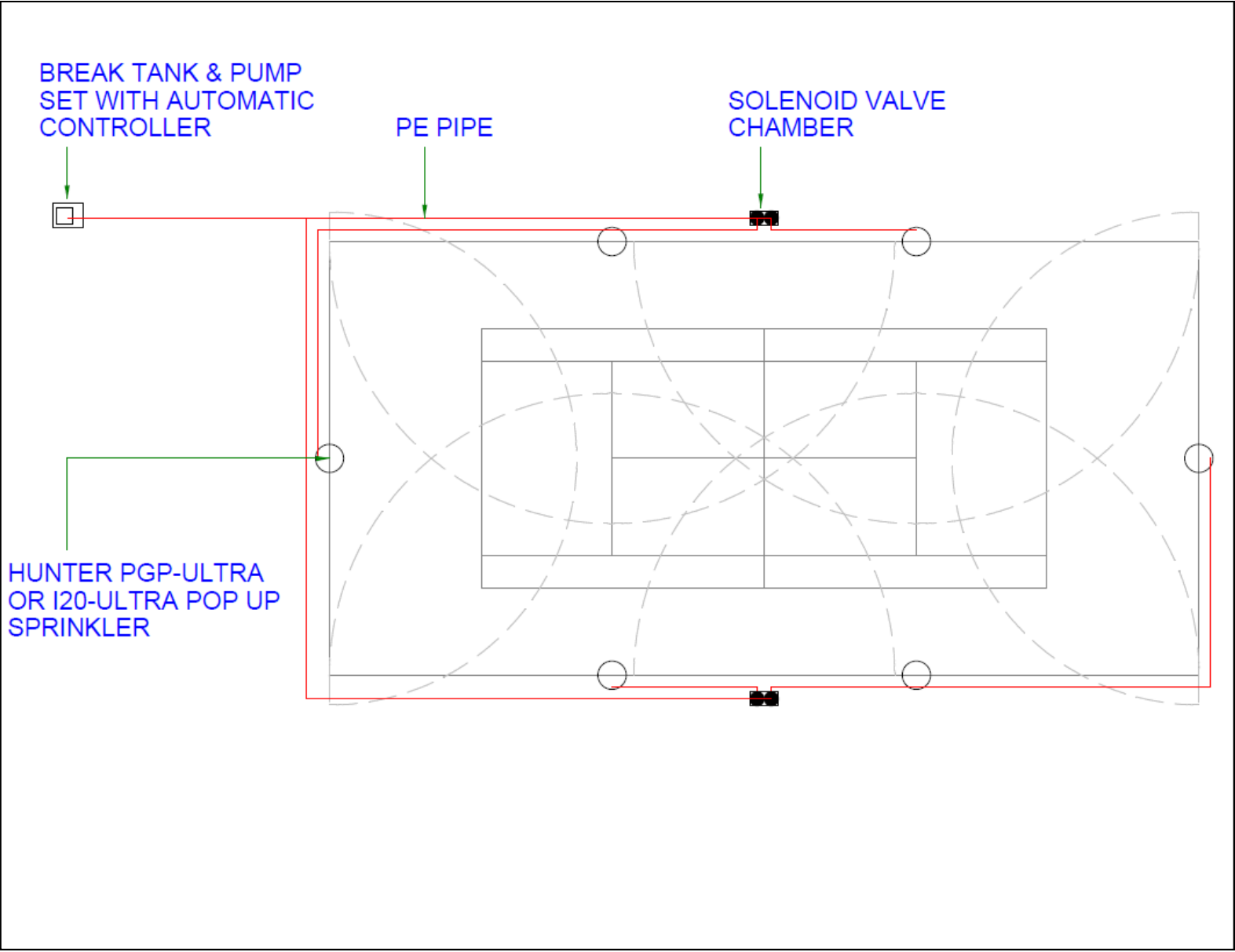
Drawing Ref: 5501	Description: Hunter PGP or I20 pop-up sprinkler system for single grass tennis court. System includes ACCESS 100 litre break tank and pump set and Heron controller with rain sensor. Guide price assumes pump and tank is no more than 10m from court.	Guide Price £3650 with PGP £3800 with I20
Drawing Ref: 5502	Description: Hunter PGP or I20 pop-up sprinkler system for two grass tennis courts. System includes ACCESS 100 litre break tank and pump set and Heron controller with rain sensor. Guide price assumes pump and tank is no more than 10m from courts.	Guide Price £4500 with PGP £4950 with I20
Drawing Ref: 5503	Description: Hunter I40 pop-up sprinkler system for two grass tennis courts. System includes 5500 litre plastic storage tank, Lowara variable speed pump and Heron controller with rain sensor. Guide price assumes pump and tank is no more than 30m from courts.	Guide Price £11850
Drawing Ref: 5503	Description: As above, but using I40 High speed pop-up sprinklers more suited to clay tennis courts.	Guide Price £13450



Tennis Court Watering

Drawing Ref:
5501

Notes:



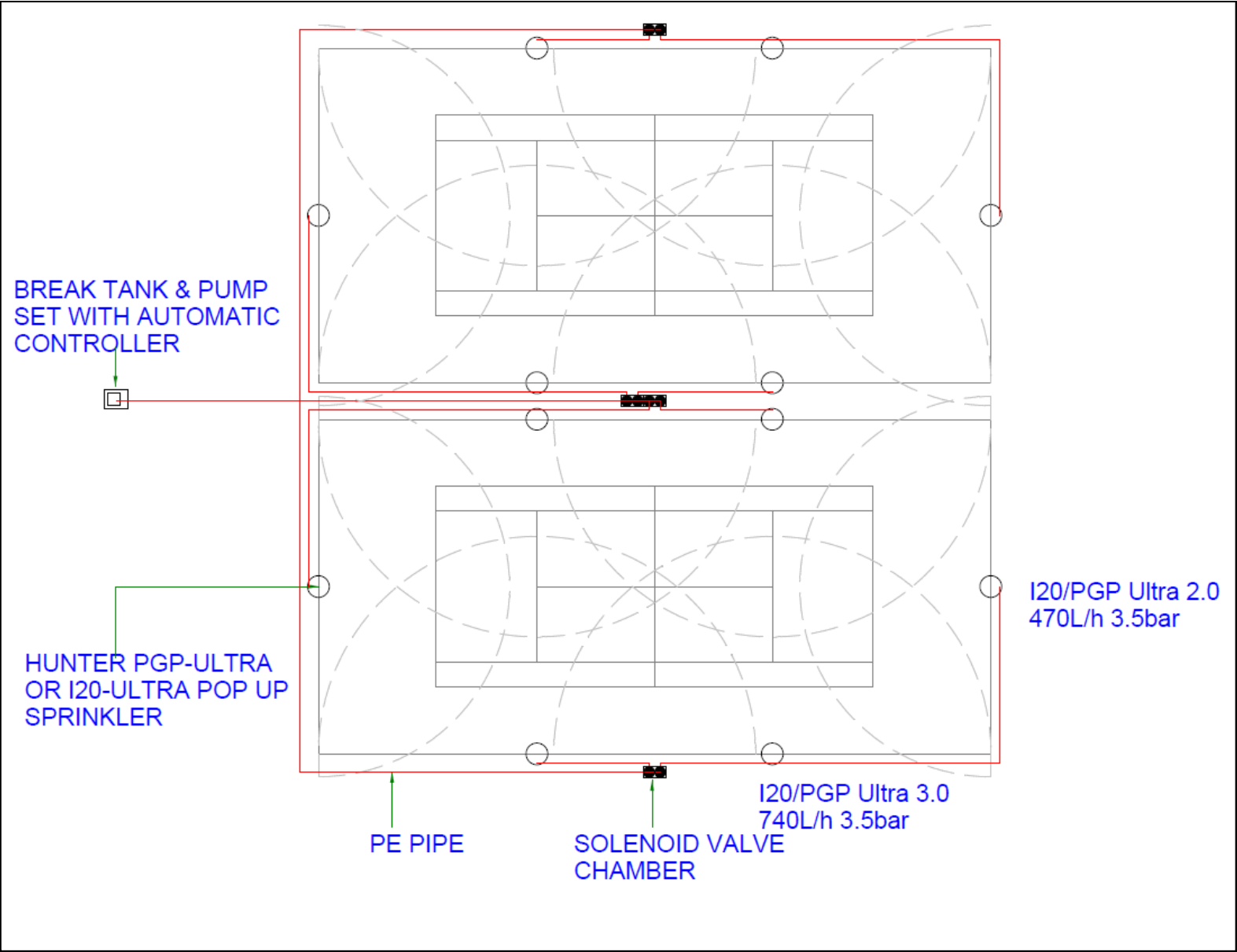
Crick, Northampton NN6 7XS
01788 823811
sales@access-irrigation.co.uk
www.access-irrigation.co.uk



Tennis Court Watering

Drawing Ref:
5502

Notes:



Crick, Northampton NN6 7XS
01788 823811
sales@access-irrigation.co.uk
www.access-irrigation.co.uk



Tennis Court Watering

Drawing Ref:
5503

Notes:

Crick, Northampton NN6 7XS
01788 823811
sales@access-irrigation.co.uk
www.access-irrigation.co.uk

