

Technical Data

- For use with HDPE pipes that comply with ISO 4427, EN 12201 and DIN 8074.
- Connects to metal and plastic accessories with ISO 7 threads.
- Made from top quality raw materials approved for drinking water by WRc, DVGW and KIWA.
- Allows easy and quick mounting without loss of parts.
- Unbreakable, corrosion-resistant and resistant to most chemicals.
- Stands up to tough working conditions, pipe bending and pulling.
- Complies with International Standards.

Plassim Features

Threads - Special profile saw tooth design

- Cannot cross thread
- Saw teeth resist pull out and prevent unscrewing due to vibration

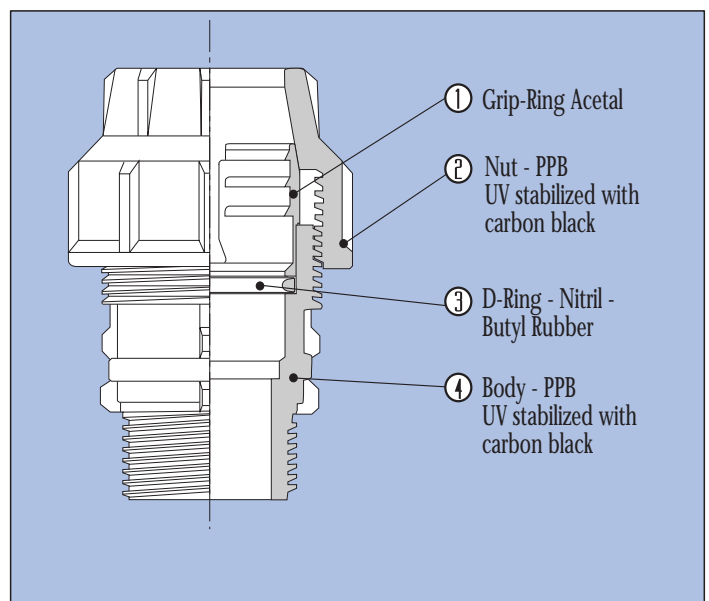
'D' Ring - Special profile

- Cannot fall out of the fitting
- Will not twist when the pipe is inserted
- Makes fitting easy to dismantle
- Better to maintain, can be taken out and cleaned

Flexible grip ring

- Keeps the 'D' ring in place
- When the nut is removed, grip ring is completely free on the pipe
- Easy to remove, no tools needed
- Grips the pipe firmly, when the nut is tightened

Diameter Range	Nominal Pressure
16 - 63 mm	16 bar
75 - 110 mm	10 bar



Maximum Working Temperature

Polypropylene	100°C
Acetal	80°C

Working Conditions for 50 Year Lifetime

Working Temperature	Working Pressure
up to 23°C	16
40°C	7
60°C	4