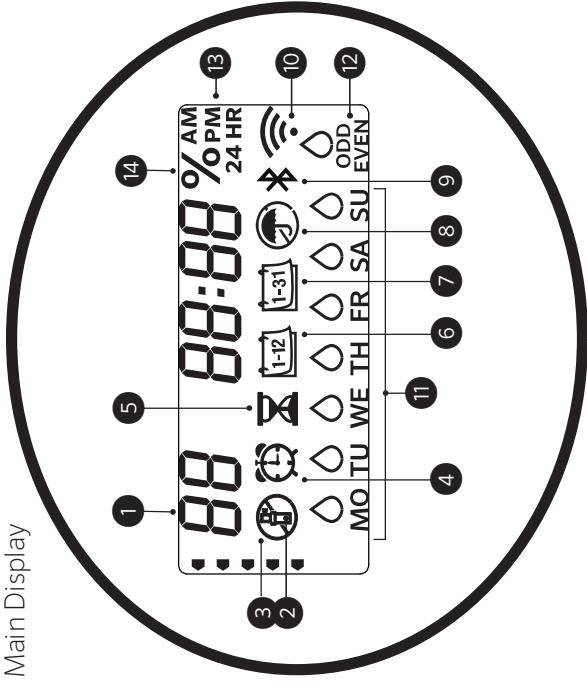
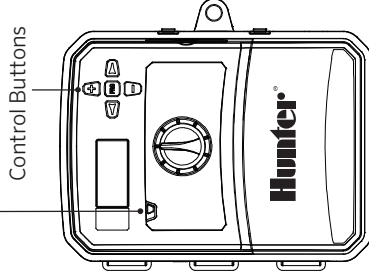


Main Display



X2 dial and button functions are disabled when Wi-Fi is on, as well as the existing schedule and settings. All programming is managed from the Hydrowise™ online software. Manual Station, Manual Program, and Test All Stations can be activated at the controller.

Sensor Bypass Switch



- ① Program Indicator
- ② Station Running
- ③ Sprinkler Off Days
- ④ Start Time Symbol
- ⑤ Run Time Symbol
- ⑥ Month Symbol
- ⑦ Day Symbol
- ⑧ Rain Sensor Active/Override
- ⑨ Bluetooth® On
- ⑩ Wi-Fi On
- ⑪ Days of the Week
- ⑫ Odd/Even/Interval Days
- ⑬ Time Mode (AM/PM/24 HR)
- ⑭ Seasonal Adjust (%)

The Bluetooth® word mark and logos are registered trademarks owned by Bluetooth SIG Inc. and any use of such marks by Hunter Industries is under license.



**ADD
WI-FI**

<https://hunter.direct/WAND>

Dial Must Be in RUN Position for Automatic Irrigation

Setting Current Date and Time

1. Turn the dial to the **DATE/TIME** position.
 2. The current year will be flashing. Use the + and - buttons to change the year. Push the ▶ button to proceed to setting the month.
 3. The month will be flashing. Use the + and - buttons to change the month. Press the ▶ button to proceed to the day setting.
 4. The day will be flashing. Use the + and - buttons to change the day of the month. Press the ▶ button to proceed to the time setting.
 5. The time will be displayed. Use the + and - buttons to select AM, PM, or 24 HR to display all times in 24-hour mode.
 6. Press the ▶ button to move to hours. Use the + and - buttons to change the hour shown on the display.
 7. Press the ▶ button to move on to minutes. Use the + and - buttons to change the minutes shown in the display.
- Turn the dial to the **RUN** position. Date and time are now set.

Setting Program Start Times

1. Turn the dial to the **START TIMES** position.
2. Press the **PRG** button to select A, B, or C.
3. Use the + and - buttons to change the start time. The start time advances in 15-minute increments.
4. Press the ▶ button to add another start time, or **PRG** button to set a start time for the next program.


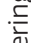
Eliminating a Program Start Time

With the dial set to the **START TIMES** position, push the + and - buttons until you reach 12:00 AM (midnight). From this position, push the - button once to reach the **“OFF”** position.

Setting Station Run Times

1. Turn the dial to the **RUN TIMES** position.
2. Use the **PRG** button to select program (A, B, or C).
3. Use the **+** and **-** buttons to change the station run time on the display. You can set station run times from 1 minute to 6 hours.
4. Press the **▶** button to advance to the next station.
5. Repeat for each station.

Setting Water Days

1. Turn the dial to the **WATER DAYS** position.
2. The display will show the last program selected (A, B, or C). Switch to another program by pressing the **PRG** button.
3. The pointer at the bottom of the screen shows the currently selected day of the week. Press **+** or **-** to select days for watering  or no water .

Selecting Odd or Even Days to Water

1. Press **▶** past all days of week to **ODD** or **EVEN**.
2. Press **+** to select or **-** to cancel **ODD** or **EVEN**.

Selecting Interval Watering

1. Press **▶** past **ODD** and **EVEN** to **INT**.
2. Press **+** or **-** to set interval days.
3. Press **+** or **-** to set number of days to next watering.

Pump/Master Valve (P/MV)

Press **▶** to select stations. Press **+** or **-** to set **P/MV** output **ON** or **OFF** for station. (P/MV is normally on for all stations.)

Seasonal Adjust

Changes all run times by a percentage for local conditions.

Press **+** or **-** to change from 10% to 200% of original run times.

Manual Station

1. Turn dial to Manual position.
2. Press **▶** to select station. Use **+** or **-** to set manual run time.
3. Turn dial to Run position to begin immediately.

Manual Program

1. Turn dial to **RUN** position.
2. Press and hold **▶** button for three seconds.
3. Press **PRG** to select program.
4. Release button for two seconds. Program will begin.
5. Press **▶** to advance to another station within the Program.

One-Touch Manual Start and Advance

1. Hold down the right button for two seconds.
2. Press the **PRG** button to select program.
3. Press the left or right button to select a station.
4. Press the **+** or **-** button to change the run time.
5. After a two-second pause, the program will begin. At any time during manual cycle, use the left or right buttons to navigate from station to station manually.

Test Program

Runs all stations for a test run time.

1. Press and hold **PRG** for three seconds.
2. Station 1 appears. Press **+** or **-** to enter run time.
3. Wait two seconds, each station will run for test run time.

System Off

Turn dial to System **OFF** position. No watering will occur in this dial position.

Programmable Rain Off

1. Turn dial to System **OFF** position, wait for **OFF** to stop blinking.
2. Press **+** or **-** to set the number of days to remain off.
3. Turn dial back to **RUN** position. Display will show days off remaining, and watering will resume when Off days reach 0. To cancel Rain Off, turn dial to **OFF**, wait until **OFF** stops blinking, then turn dial back to Run.

Sensor Bypass

Overrides sensor shutdown to allow watering.

1. Move sensor **BYPASS** switch to **BYPASS** position.
2. Return switch to **ACTIVE** to allow sensor shutdown.

SCHEDULING TIPS

A program is a watering schedule that includes a start time(s), run time(s), and water way(s).

A Start Time is the time of day the Stations in the Program start watering.

A Run Time is the watering length per Station (zone).

One Start Time is needed to run the entire program.

HIDDEN AND ADVANCED FEATURES

Feature	Where Found	Description
PROGRAMMABLE SENSOR OVERRIDE	Hold - and turn to Start Times	Sets individual stations to ignore sensor shutdowns. Select stations with ◀ or ▶, (Use +/-) to change to OFF to ignore sensor.
CYCLE AND SOAK	Hold + and turn to Run Times. Enter Cycle, press PRG to set Soak	Sets max time a station can run at once, and minimum time it must wait before another cycle. Divides run time into segments to prevent runoff.
DELAY BETWEEN STATIONS	Hold - and turn to Run Times	Inserts a delay (seconds or minutes) between stations in a run time, for slow valves or recharging tanks.
HIDE PROGRAMS	Hold - and turn to Water Days	Use +/- to change from 4 to 1 to hide extra programs. 1 will show only program A, start time 1. 4 will show all programs and start times.
CLIK-DELAY	Hold + and turn to Off	Set number of days for watering to remain off, after sensor has been activated and restored.
TOTAL RUN TIME	Turn to Run Times. Press ◀ when station 1 is shown, PRG to select other programs.	Calculates and displays total of all run times in a program start time.
EASY RETRIEVE™	Hold + and PRG to Save. Hold - and PRG to Restore	Saves all program information to restore at a later time.
TOTAL RESET	Hold PRG and press RESET button.	Returns to factory defaults and erases watering schedule and settings.
QUICK CHECK™	+ , -, ◀ , ▶ together, then +	Checks all stations for wiring problems.

TROUBLESHOOTING GUIDE

Display	Possible Cause	Solutions
DISPLAY SHOWS “ERR” WITH NUMBER	Short in field wiring, or bad solenoid.	Check field wiring and valve solenoid. Press any button to clear ERR message.
DISPLAY SHOWS P “ERR”	Short in Pump/Master Valve wiring or solenoid.	Check wiring and solenoid at P/MV . Check specifications for Pump Start Relay.
DISPLAY SHOWS SP “ERR”	SmartPort® error. Electrical noise is present near connection to remote or other SmartPort device.	Move connections away from sources of electrical noise.
DISPLAY SHOWS WATERING BUT NO WATER IS OCCURRING	Problem in field wiring. Problem with solenoids. No water pressure to system.	Check field wiring (voltmeter). Check valve solenoid(s). Verify water source is open.
FROZEN OR GARBLED DISPLAY	Power surge	Reset controller.
RAIN SENSOR DOES NOT STOP IRRIGATION	Jumper wire is not removed. Sensor switch in BYPASS position.	Remove jumper wire on SEN terminals. Set sensor switch to Active position.
CONTROLLER SEEMS TO WATER CONTINUOUSLY	Too many start times.	One Start Time operates all stations in a program. Remove unnecessary start times.



When this symbol is shown, the controller is now managed online with Hydrowise software and the controller dial and buttons are inoperable. Set schedules, suspend zones, configure sensors, and more with the Hydrowise application. Leave dial in **RUN** position to continue Hydrowise programming schedule.



For troubleshooting information:
<https://hunter.direct/X2help>



NOTE: If the supply cord is damaged, it must be replaced by the manufacturer or service agent or a similarly qualified person to avoid hazard.