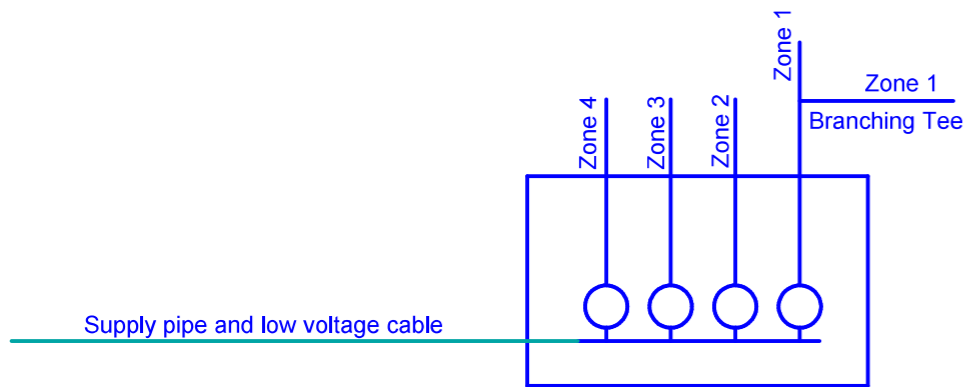
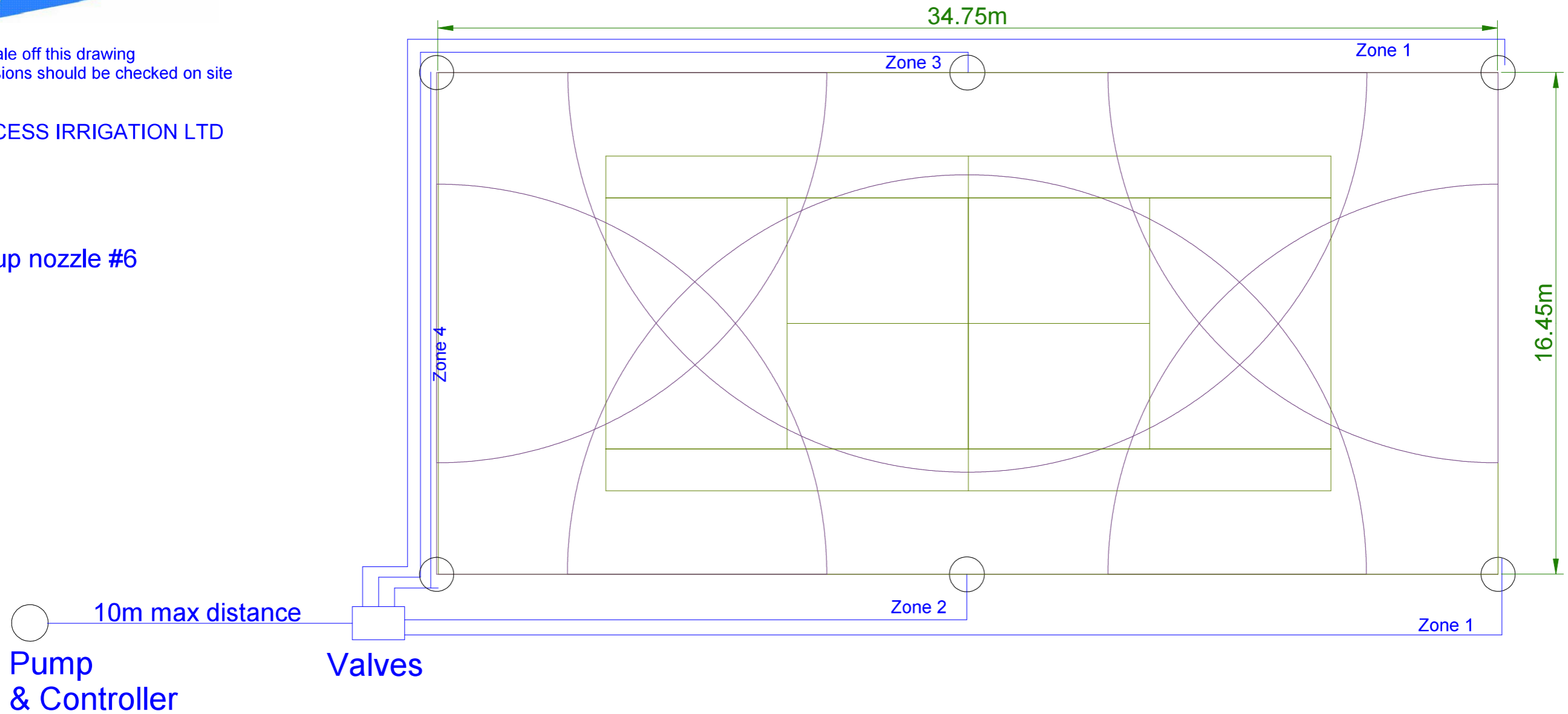




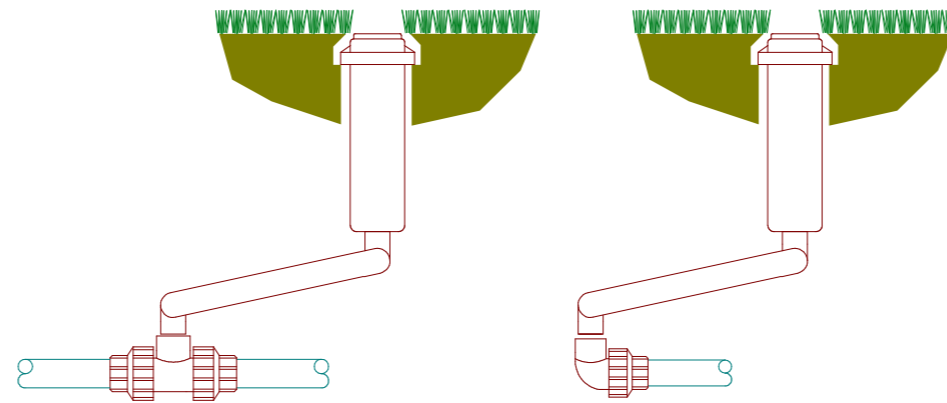
Do not scale off this drawing
All dimensions should be checked on site
E. & O.E.

© ACCESS IRRIGATION LTD

Pop-up nozzle #6



Valve Box Layout



Pop up detail

Project:	Tennis Court area
Title:	Tennis Court - Double
Scale:	1:150 (A3)
Date:	1-Apr-21 Rev: 0
Drawing No:	Tennis Court - Double