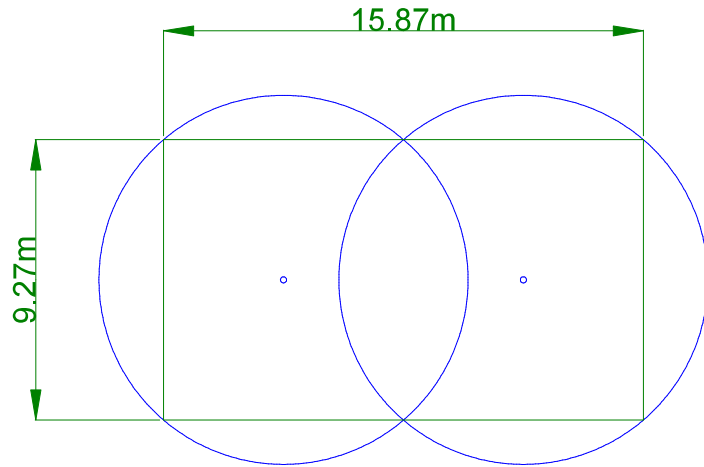
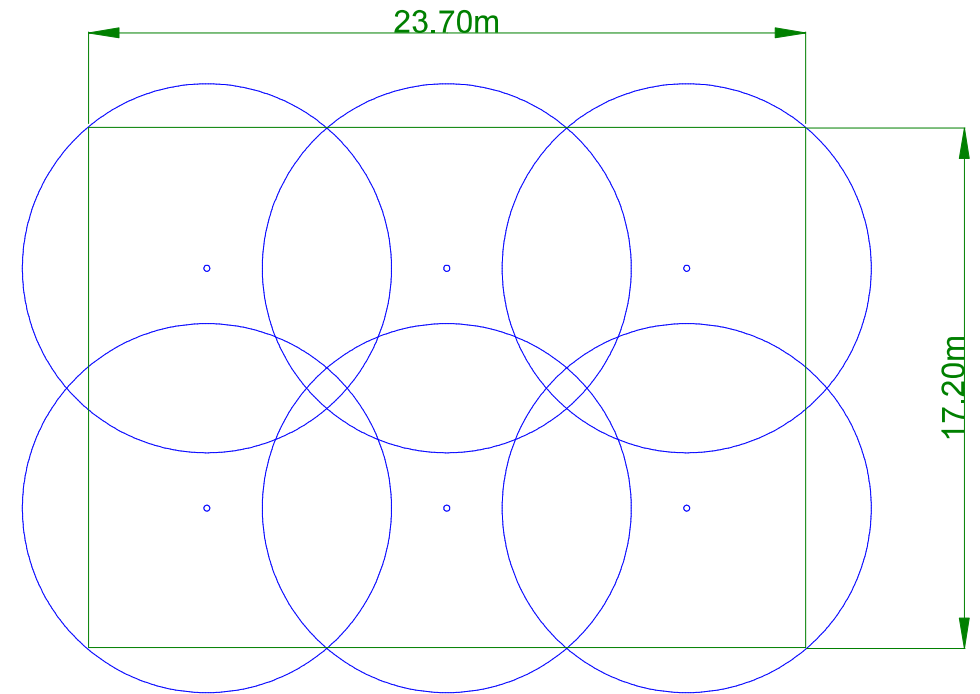


1.5 nozzle 1.7 bar pressure

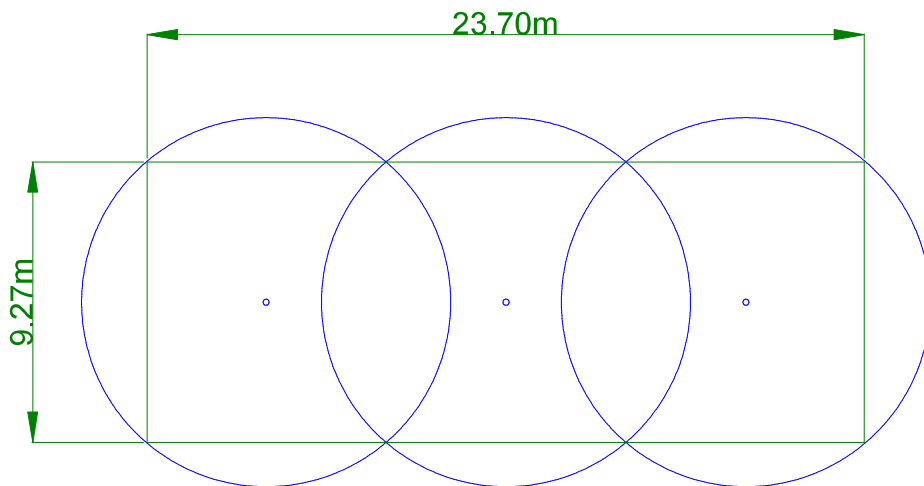
Overlap on 130% of radius



SLW2



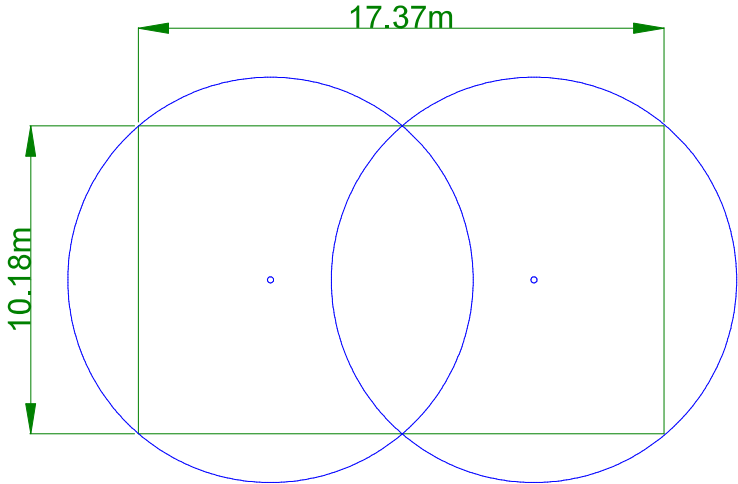
SLW6



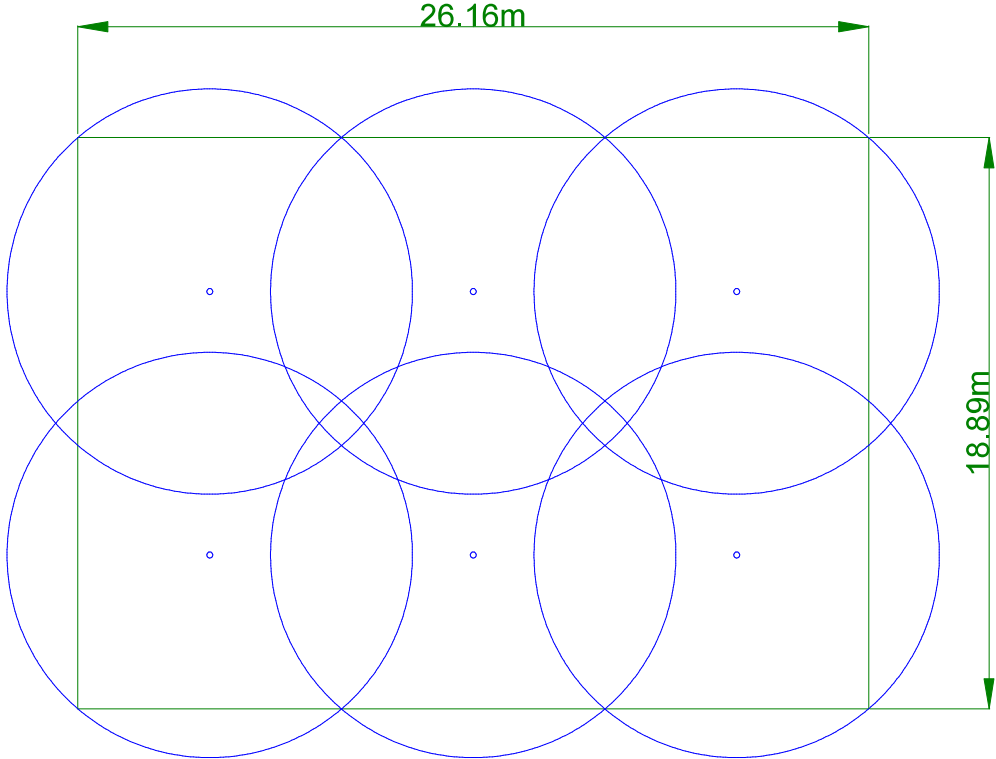
SLW3

1.5 nozzle 2.8 bar pressure

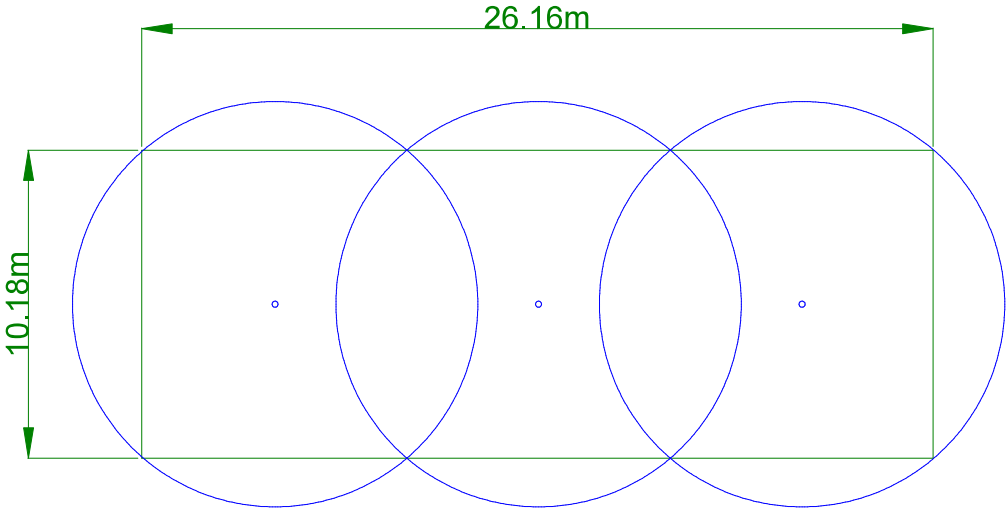
Overlap on 130% of radius



SLW2



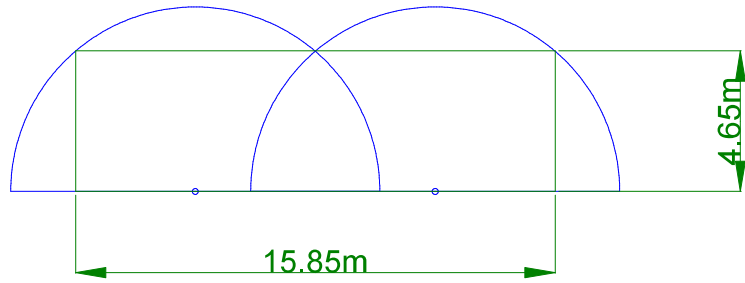
SLW6



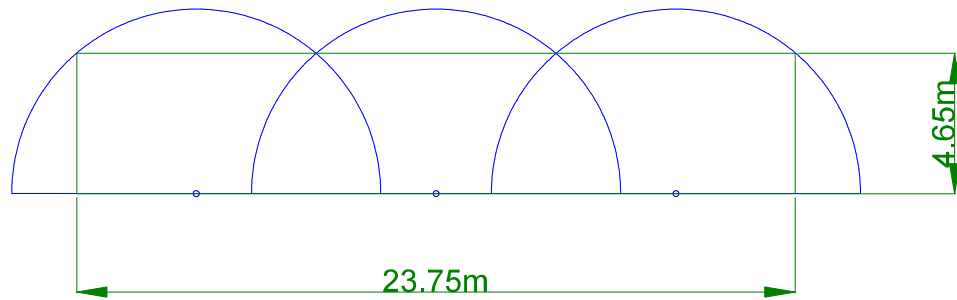
SLW3

1.5 nozzle 1.7 bar pressure

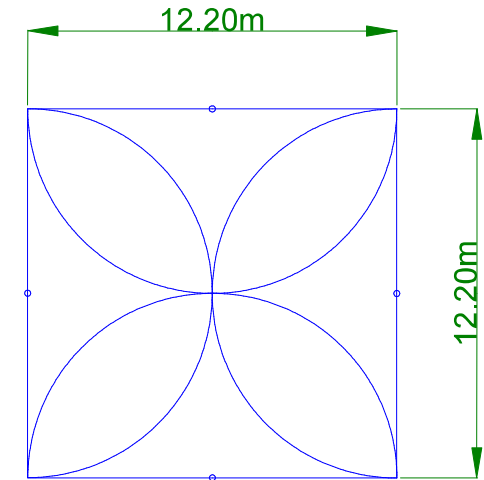
Half Circle



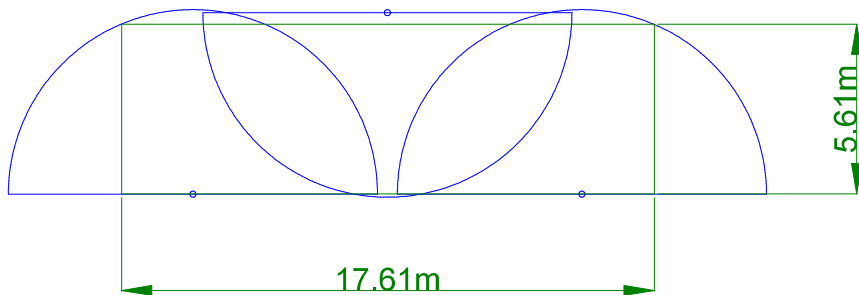
SLW2



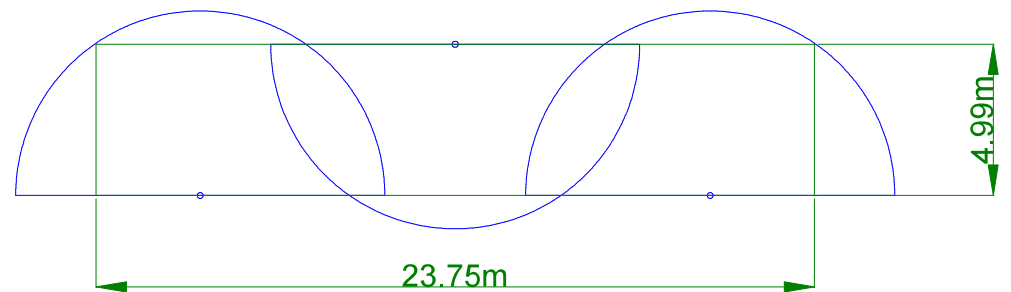
SLW3



SLW2 x 2



SLW3

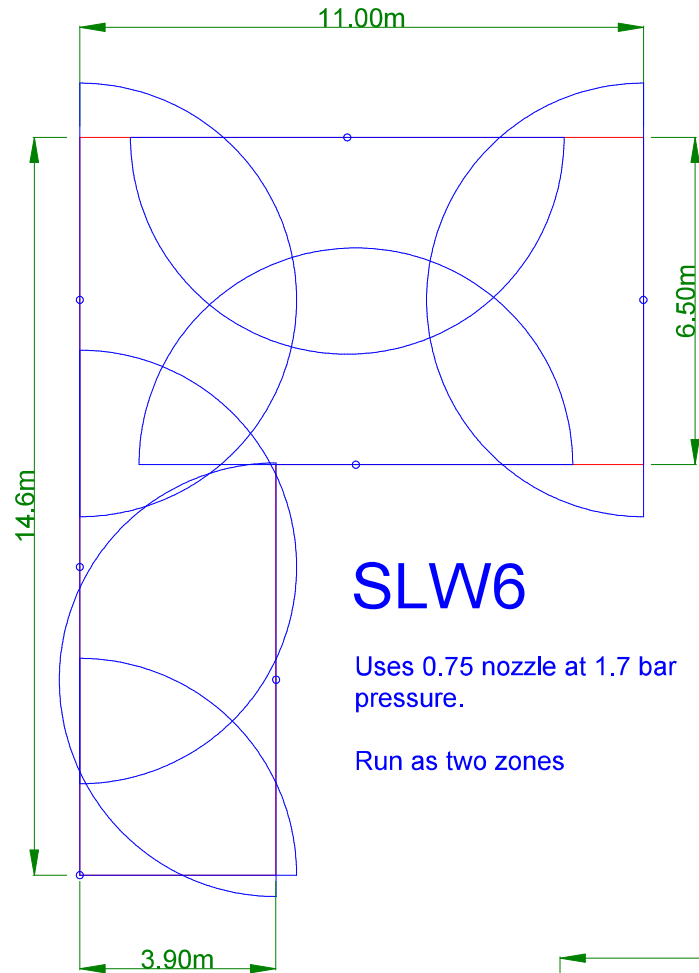


SLW3

I115-sprinkler kits
drawing
Rev: 0 Sept 2018
\\instructions\commercial
1.7 bar half circle

Small garden layouts

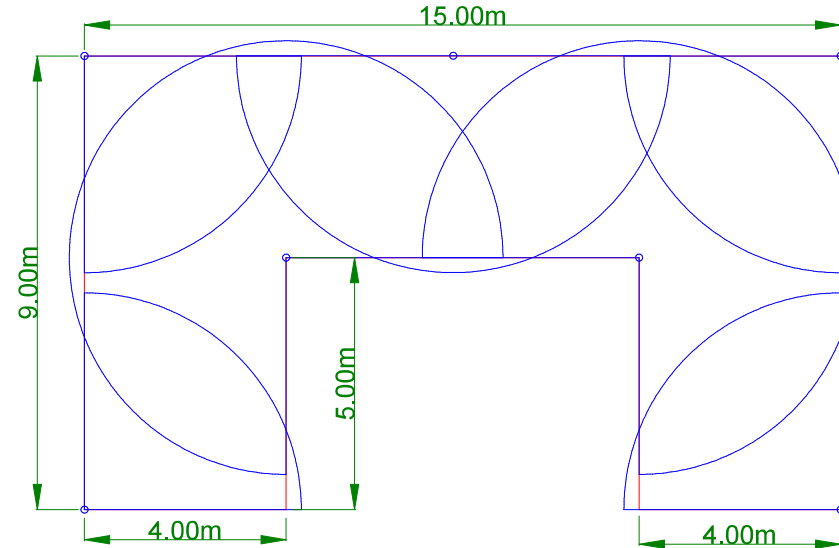
Ideally run different arcs on separate zones



SLW6

Uses 0.75 nozzle at 1.7 bar pressure.

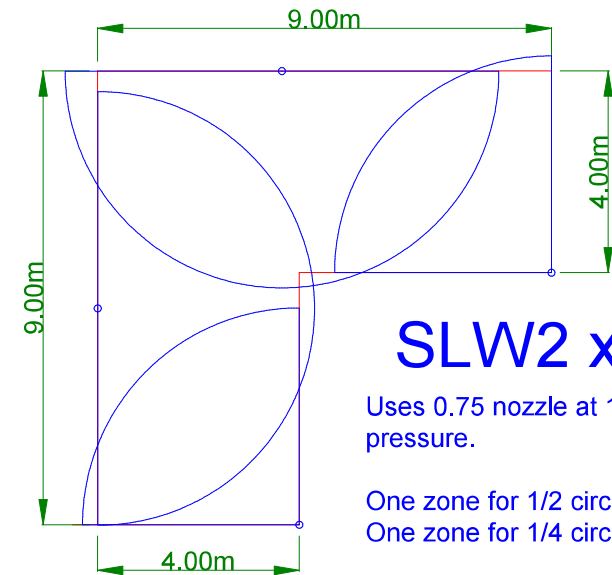
Run as two zones



SLW6

Uses 0.75 nozzle at 1.7 bar pressure.

Run as two zones with 1/4 circles on the same zone



SLW2 x 2

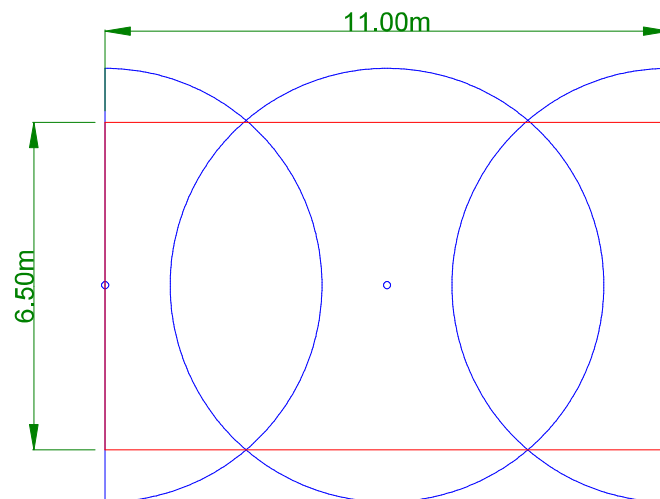
Uses 0.75 nozzle at 1.7 bar pressure.

One zone for 1/2 circle
One zone for 1/4 circle

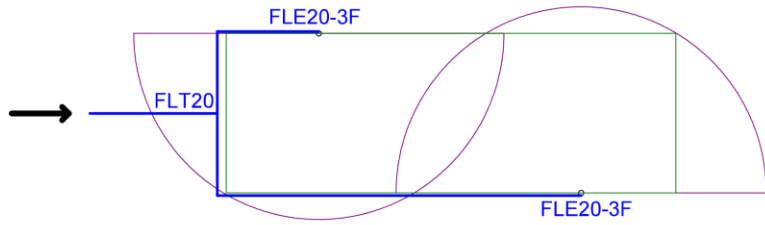
SLW3

Uses 0.75 nozzle at 1.7 bar pressure.

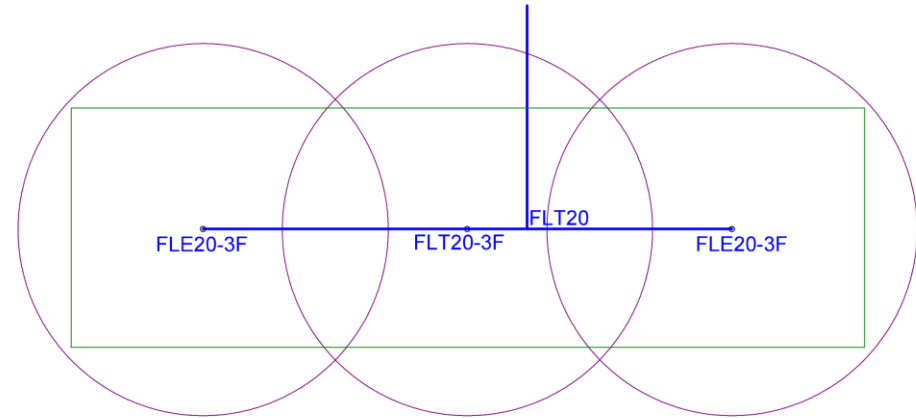
Purchase another FLE20-3F tee if running the centre sprinkler on a separate zone



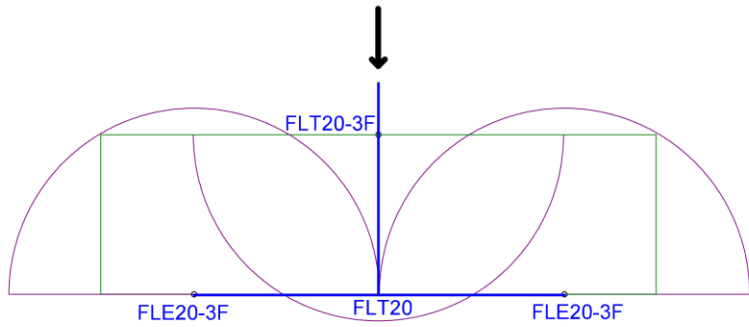
SLW2



SLW3



SLW3



SLW6

