



© ACCESS IRRIGATION LTD

Wireless Rain Sensor

Green Roof Deck

Roof Connection Point

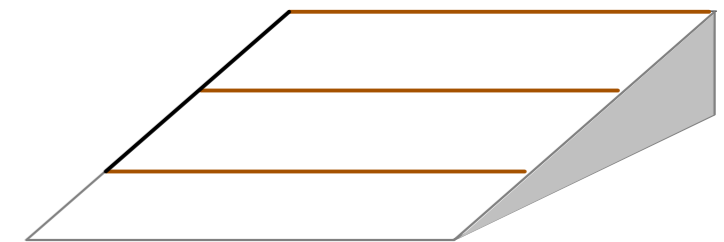
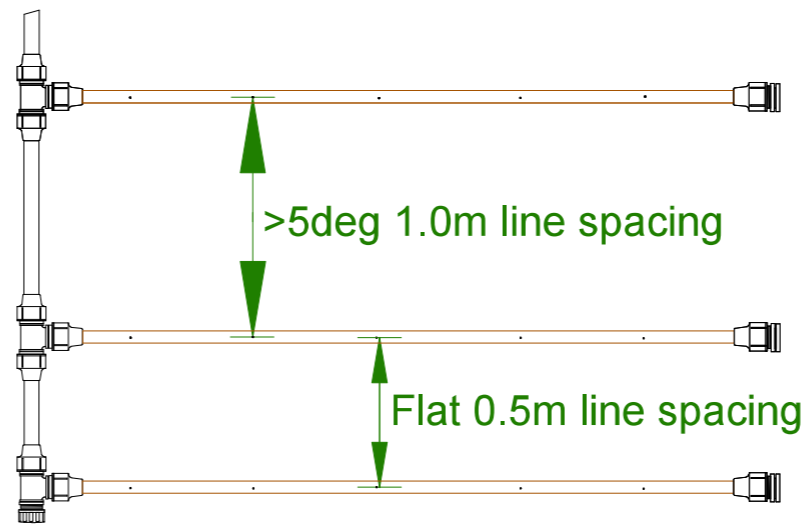
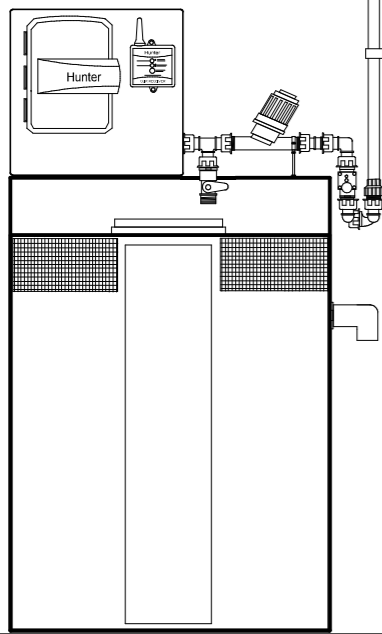
First line 0.25m from edge

FLAT ROOF

First line along top edge

SLOPING ROOF

Pressure Booster Set



Package covers:  
Flat roof 100m<sup>2</sup>  
Sloped roof 200m<sup>2</sup>

Secure driplines with pegs ONLY if sufficient depth or strap directly to mat

**AVOID DAMAGE TO WATERPROOFING**

\\drawings commercial\DR040 SGR100 Layout Drawing

Drawing: DR040

Date: 04/2026

Rev: 0

**GREEN ROOF PACKAGE  
(SGR100) LAYOUT DRAWING**