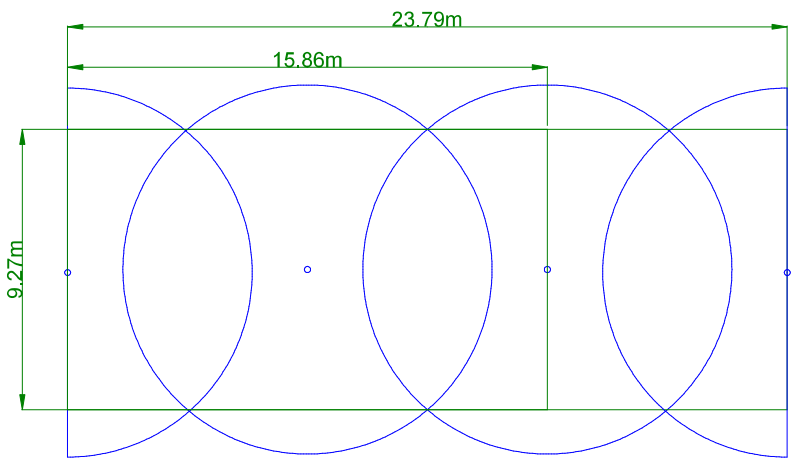
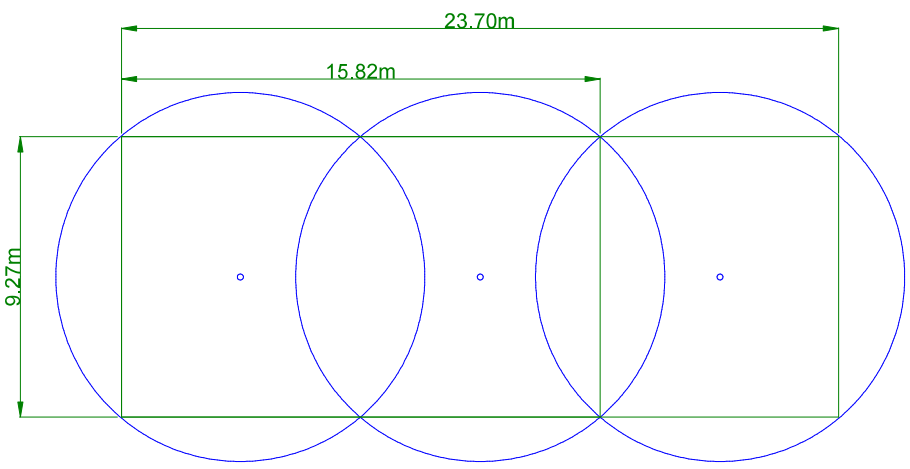


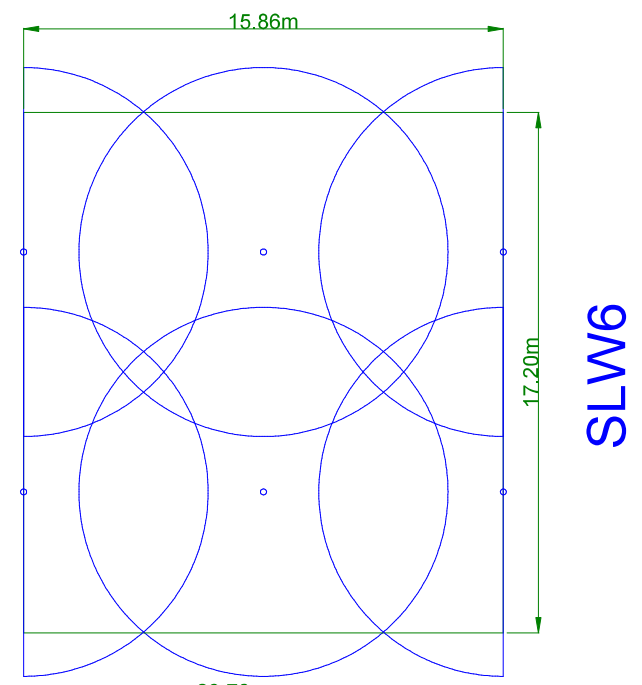
SLW2



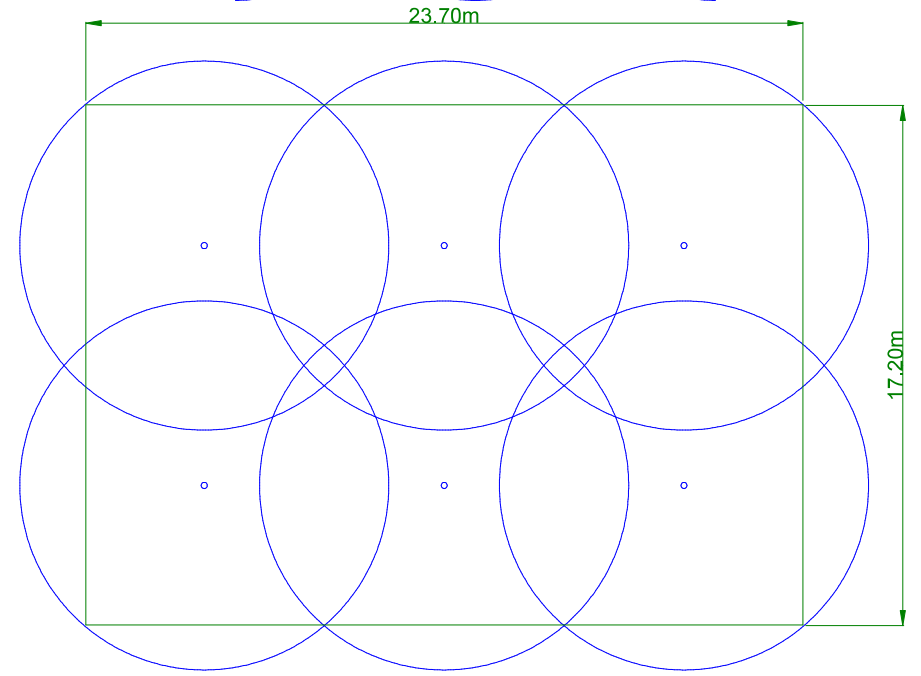
SLW2 x 2



SLW3



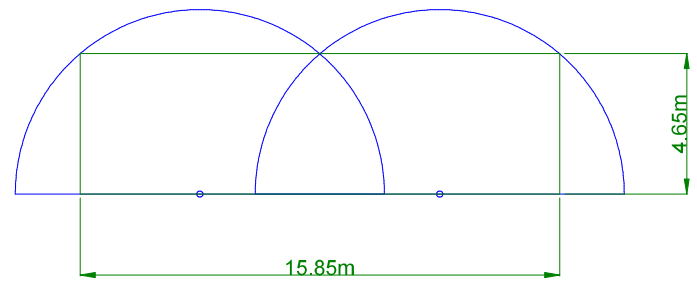
SLW6



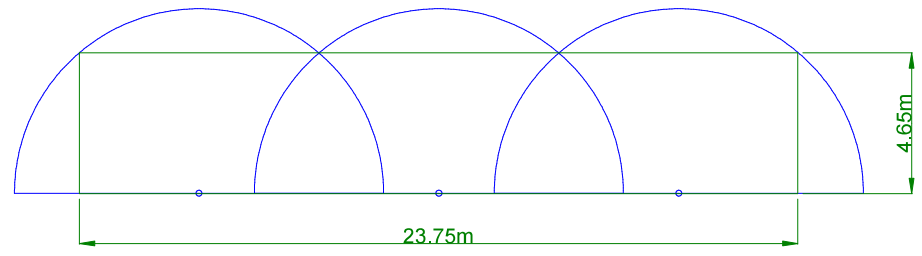
SLW6

1.5 nozzle 1.7 bar pressure
 Overlap on 130% of radius - sprinklers can be placed closer to water smaller areas
 When running full and half circle nozzles, put them on seperate zones

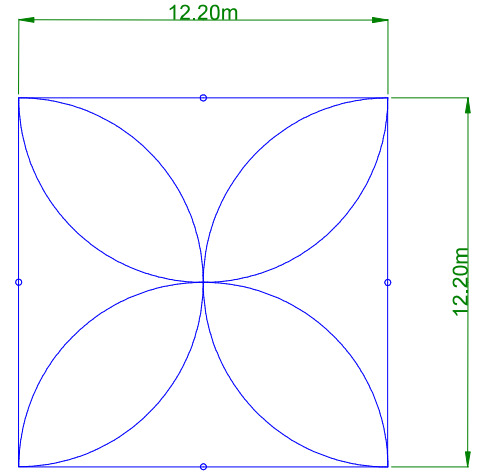
1.5 nozzle 1.7 bar pressure
Half Circle



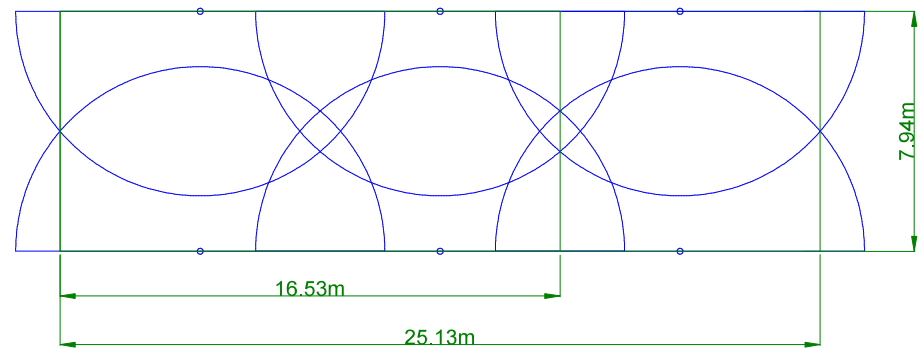
SLW2



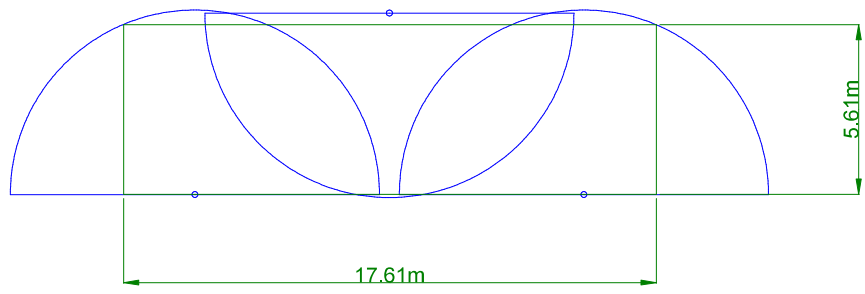
SLW3



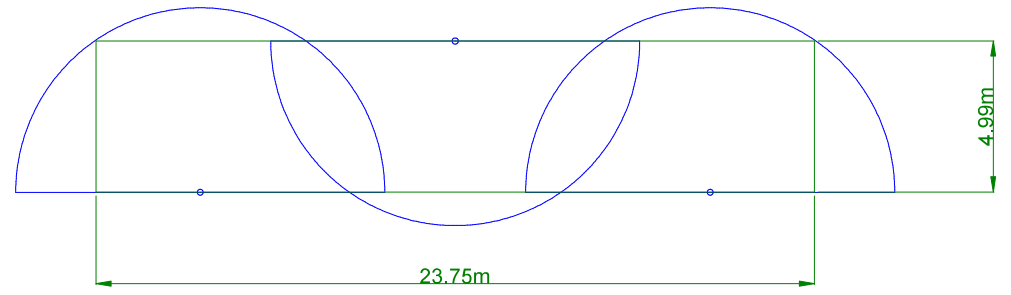
SLW2 x 2



SLW3 x 2



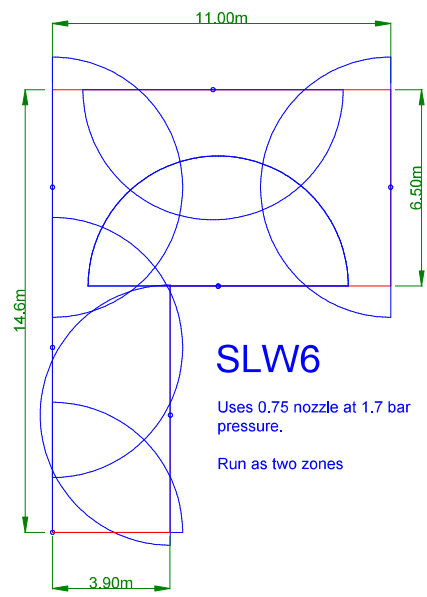
SLW3



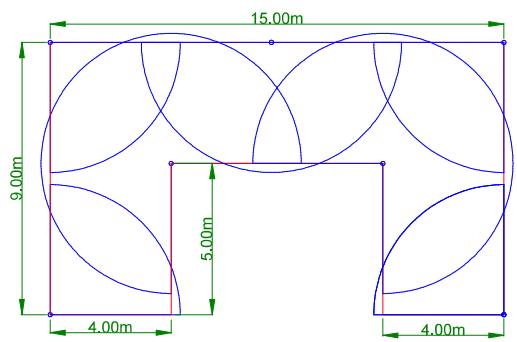
SLW3

Small garden layouts

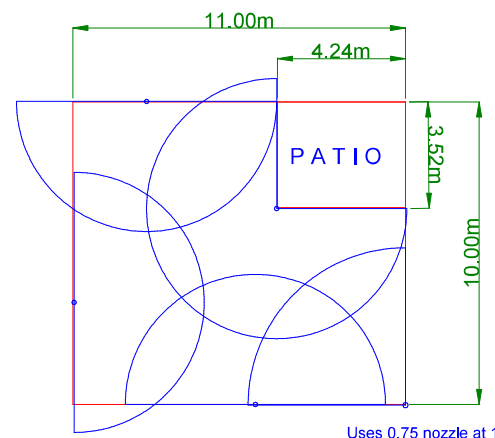
Ideally run different arcs on separate zones



SLW6
 Uses 0.75 nozzle at 1.7 bar pressure.
 Run as two zones

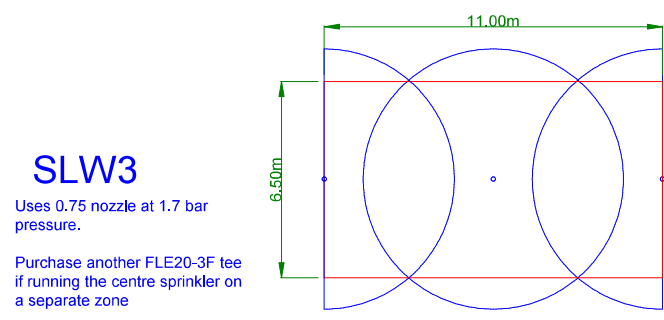


SLW6
 Uses 0.75 nozzle at 1.7 bar pressure.
 Run as two zones with 1/4 circles on the same zone

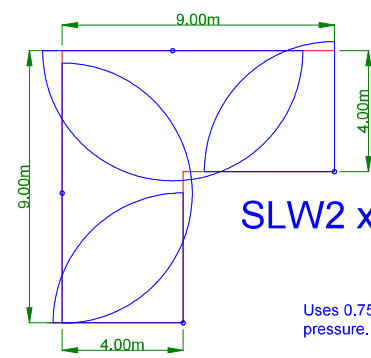


SLW2 + SLW3
 Uses 0.75 nozzle at 1.7 bar pressure, except for 90 degree sprinkler which is a 1.0 nozzle.
 Run as two zones.

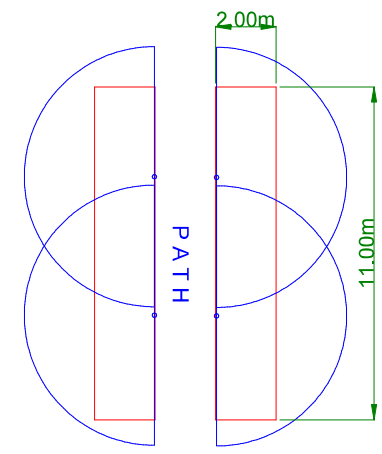
Complex shapes should be drawn out on graph paper



SLW3
 Uses 0.75 nozzle at 1.7 bar pressure.
 Purchase another FLE20-3F tee if running the centre sprinkler on a separate zone



SLW2 x 2
 Uses 0.75 nozzle at 1.7 bar pressure.
 One zone for 1/2 circle
 One zone for 1/4 circle



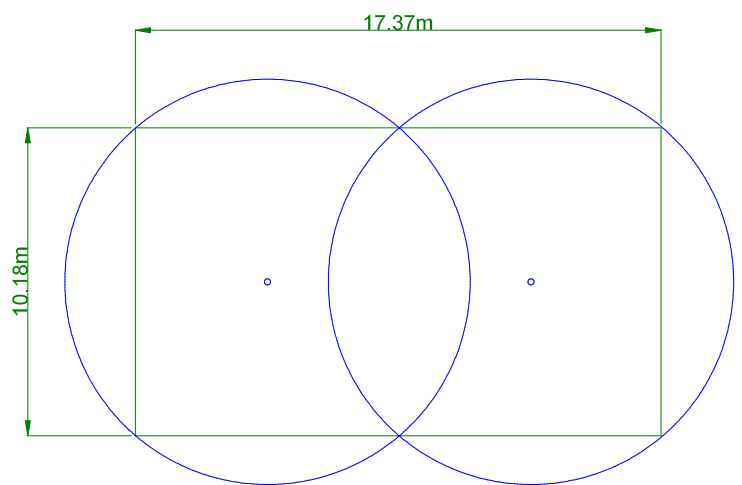
SLW2 x 2
 Uses 0.75 nozzle at 1.7 bar pressure.
 Two zones narrow strips will have significant overthrow

Nozzle data for SLW kits

Nozzle number	Radius (m)	Flow (l/h)
0.75	4.3	130
1.0	5.2	180
1.5	6.1	270
2.0	7.0	340
2.5	7.9	460
3.0	8.8	510

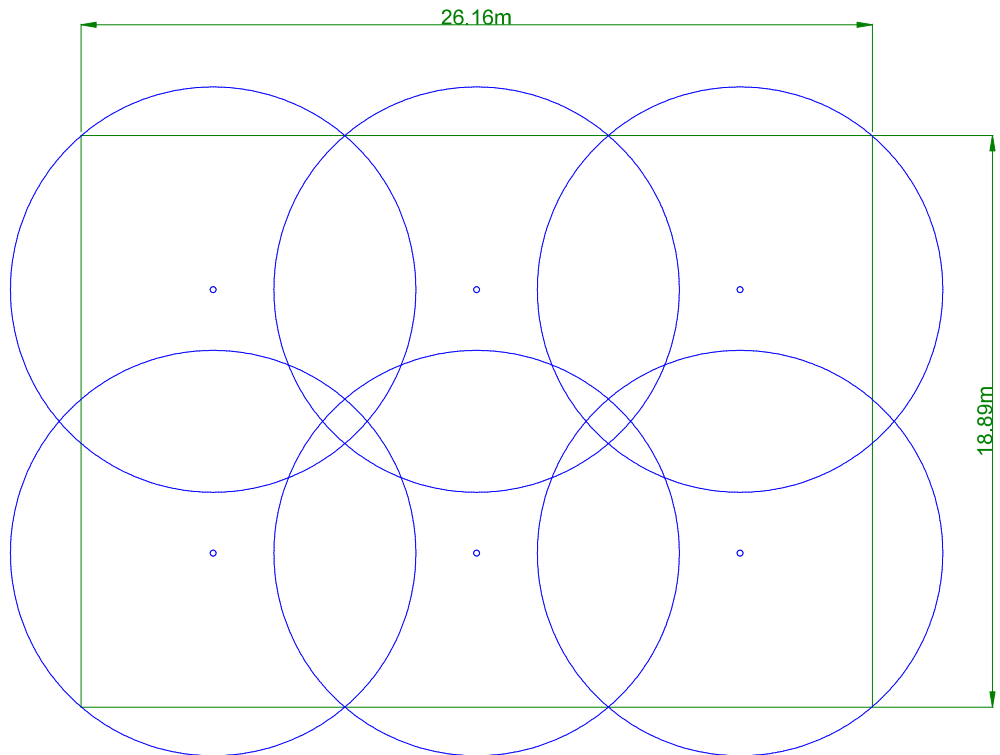
Domestic household pressure ranges from 600 - 800 l/h at a pressure between 1 and 3 bar.

1.5 nozzle 3.0 bar pressure
Overlap on 130% of radius



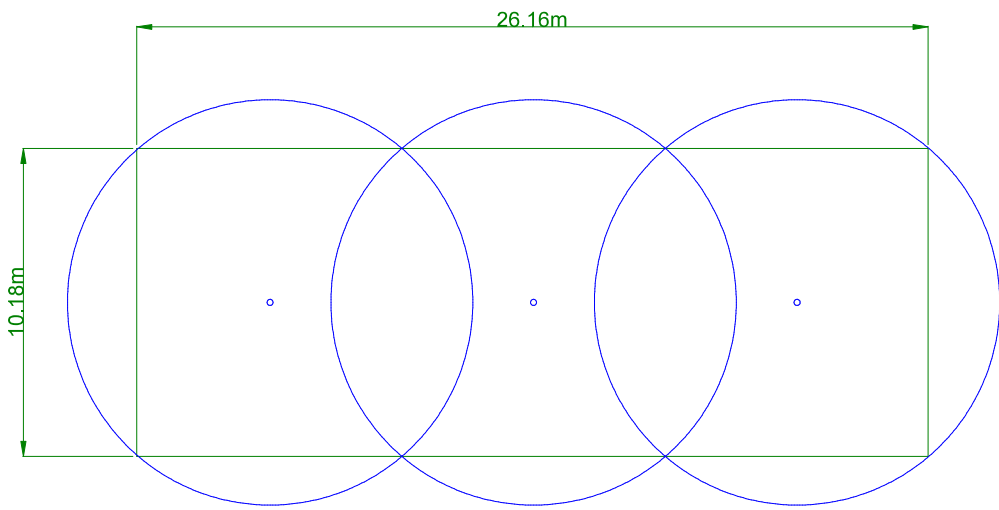
SLW2

Flow required: 720 l/h at 3.0 bar at nozzle



SLW6

Flow required: 720 l/h at 3.0 bar at nozzle per zone - run as 2 zones



SLW3

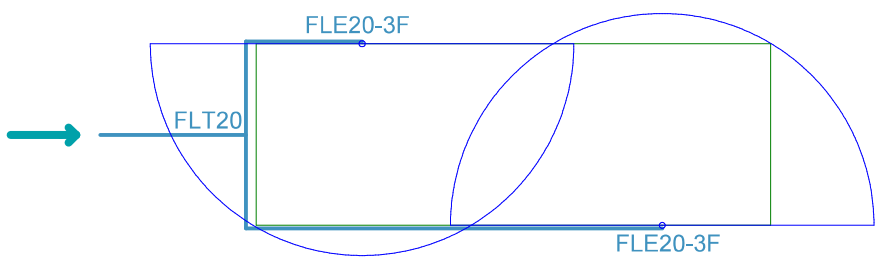
Flow required: 1080 l/h at 3.0 bar at nozzle

Nozzle data for SLW kits

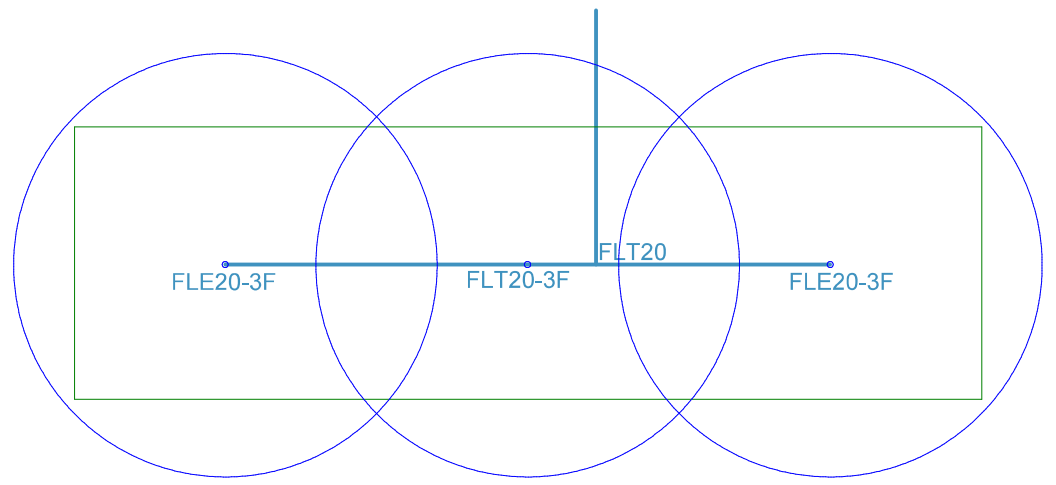
Nozzle number	Radius (m)	Flow (l/h)
0.75	5.2	180
1.0	5.8	230
1.5	6.7	360
2.0	7.6	480
2.5	8.5	590
3.0	9.4	720

Data for 3.0 bar pressure at the nozzle - ensure you have sufficient pressure and flow available. Domestic household pressure ranges from 600 - 800 l/h at a pressure between 1 and 3 bar. Test kits are available code: EPTTEST

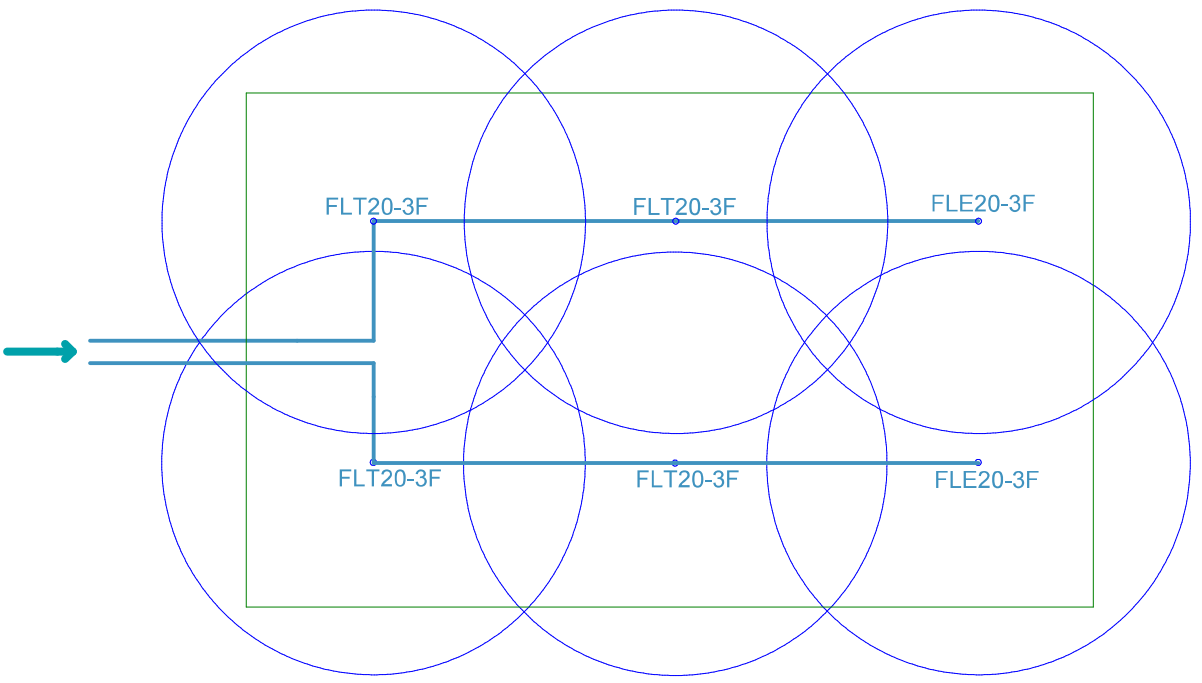
SLW2



SLW3



SLW6



SLW3

