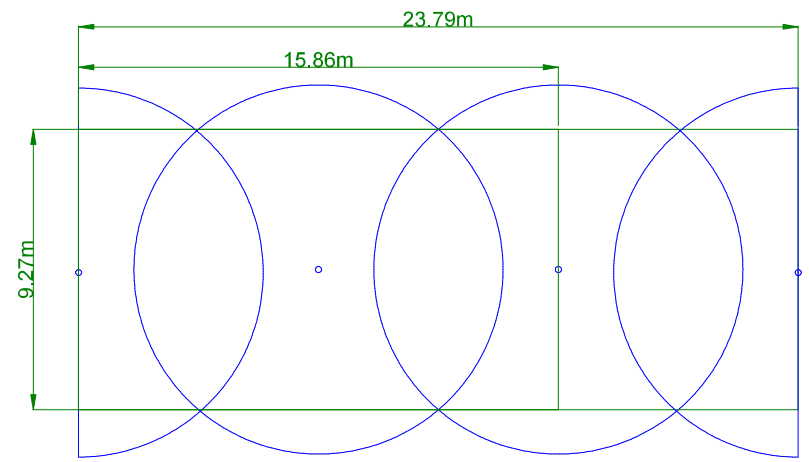
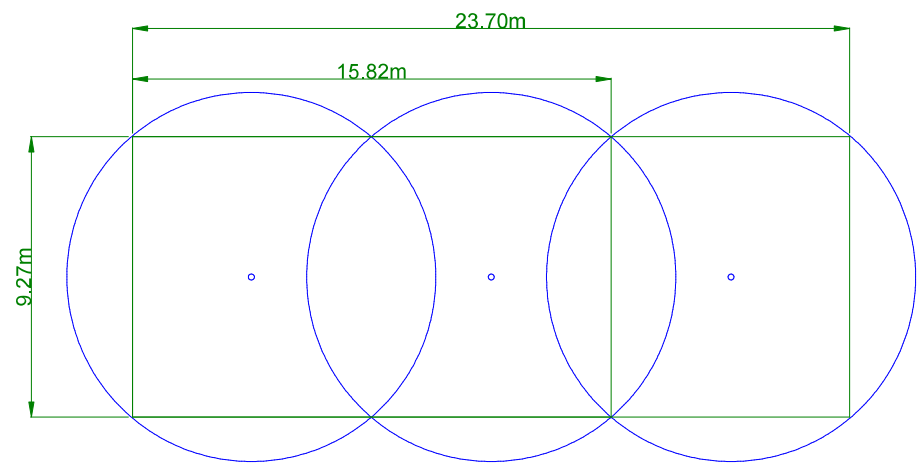


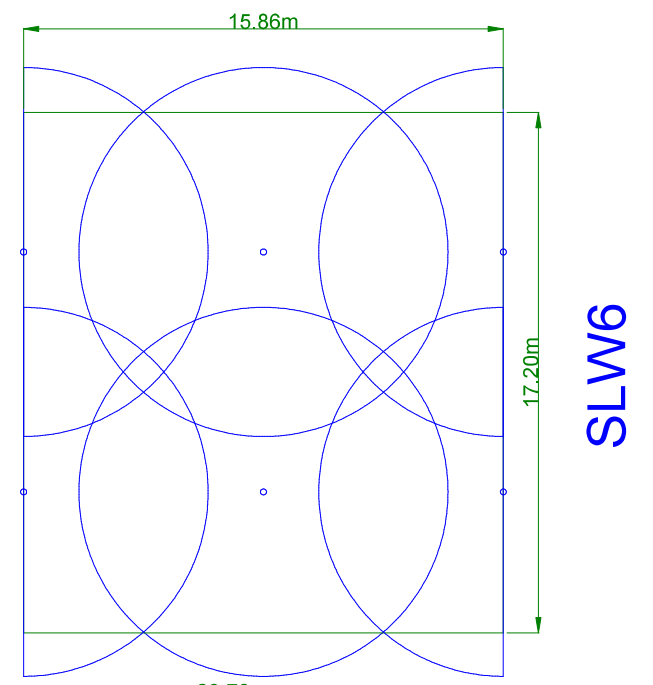
SLW2



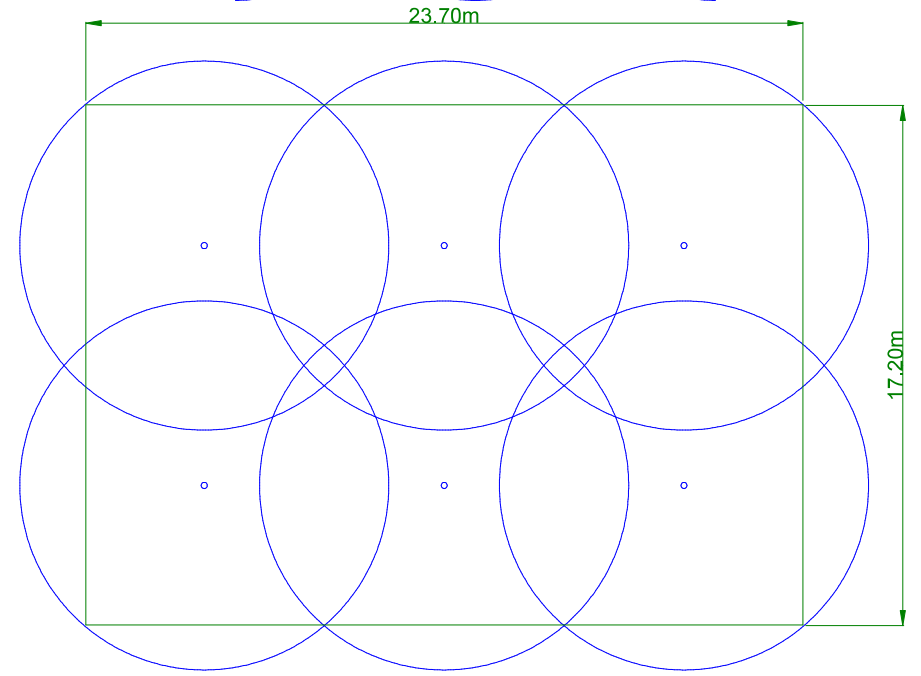
SLW2 x 2



SLW3



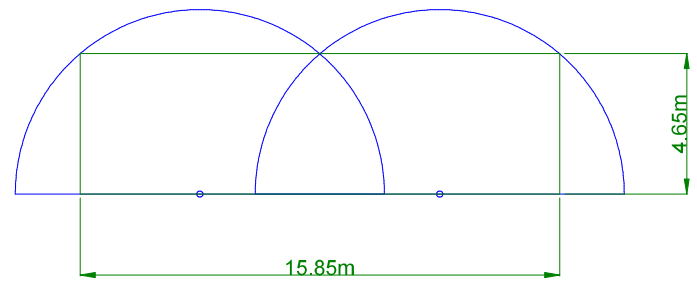
SLW6



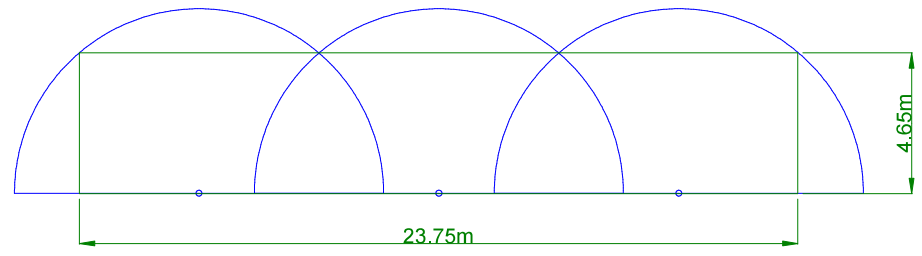
SLW6

1.5 nozzle 1.7 bar pressure
 Overlap on 130% of radius - sprinklers can be placed closer to water smaller areas
 When running full and half circle nozzles, put them on seperate zones

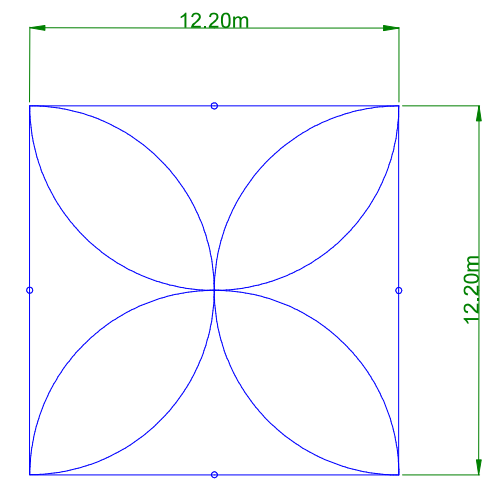
1.5 nozzle 1.7 bar pressure
Half Circle



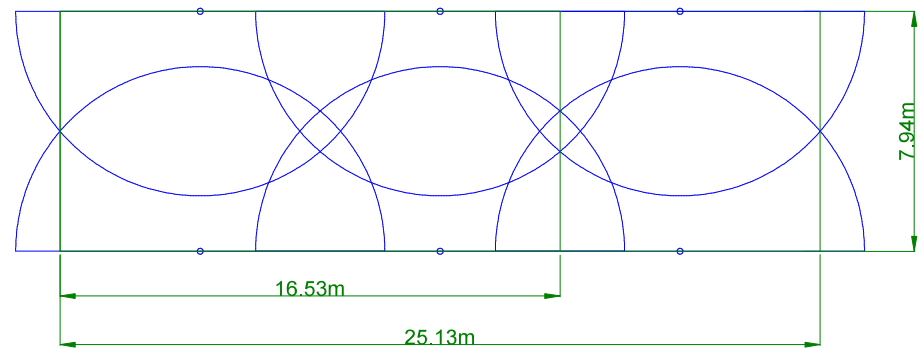
SLW2



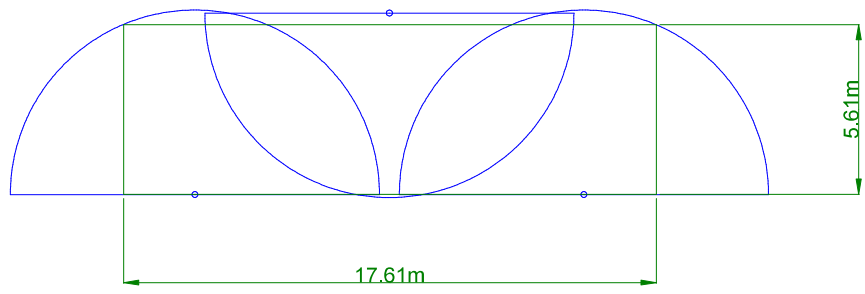
SLW3



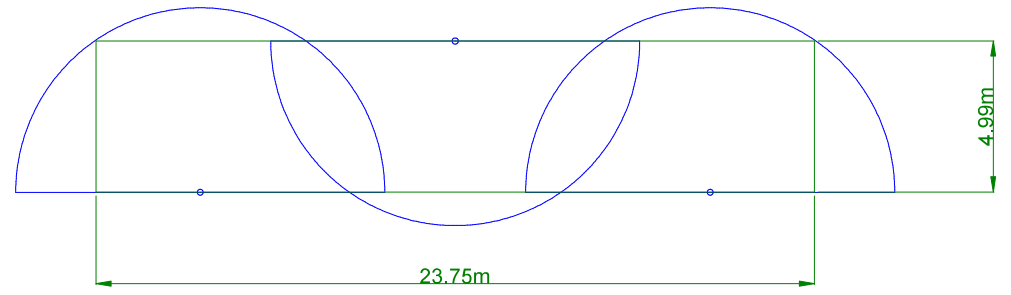
SLW2 x 2



SLW3 x 2



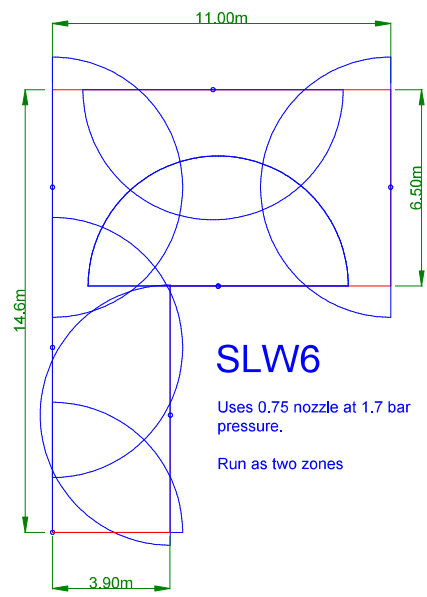
SLW3



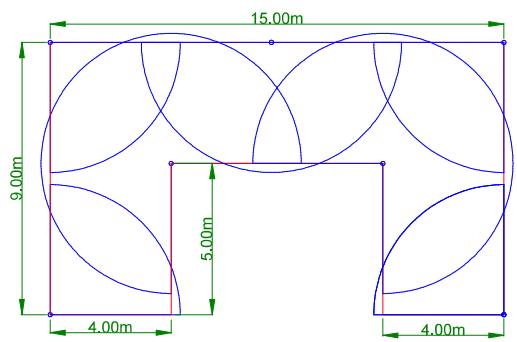
SLW3

Small garden layouts

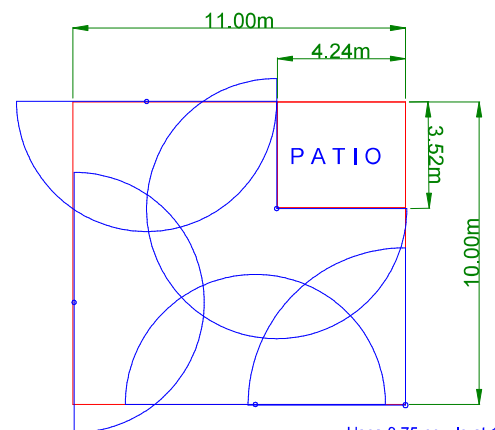
Ideally run different arcs on separate zones



SLW6
 Uses 0.75 nozzle at 1.7 bar pressure.
 Run as two zones

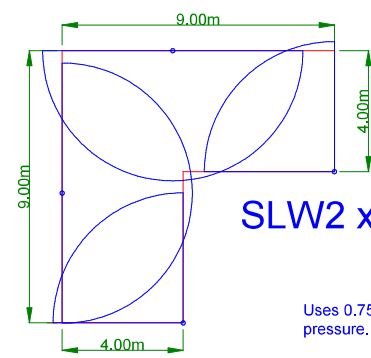


SLW6
 Uses 0.75 nozzle at 1.7 bar pressure.
 Run as two zones with 1/4 circles on the same zone



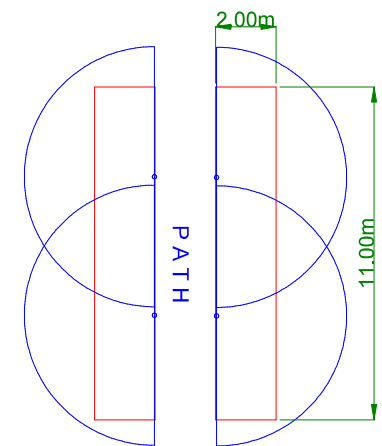
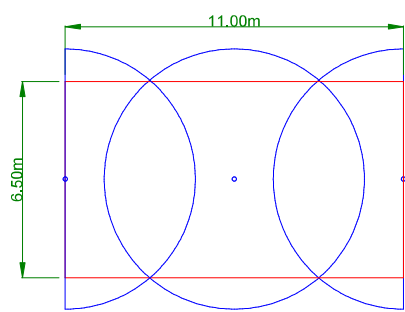
SLW2 + SLW3
 Uses 0.75 nozzle at 1.7 bar pressure, except for 90 degree sprinkler which is a 1.0 nozzle.
 Run as two zones.

Complex shapes should be drawn out on graph paper

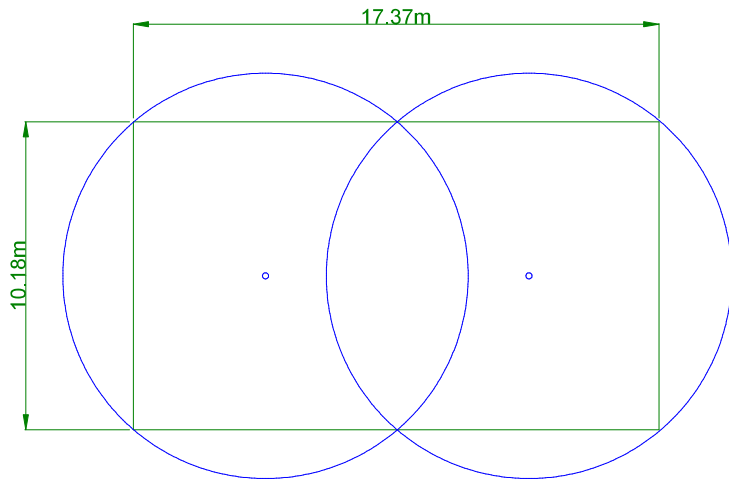


SLW2 x 2
 Uses 0.75 nozzle at 1.7 bar pressure.
 One zone for 1/2 circle
 One zone for 1/4 circle

SLW3
 Uses 0.75 nozzle at 1.7 bar pressure.
 Purchase another FLE20-3F tee if running the centre sprinkler on a separate zone

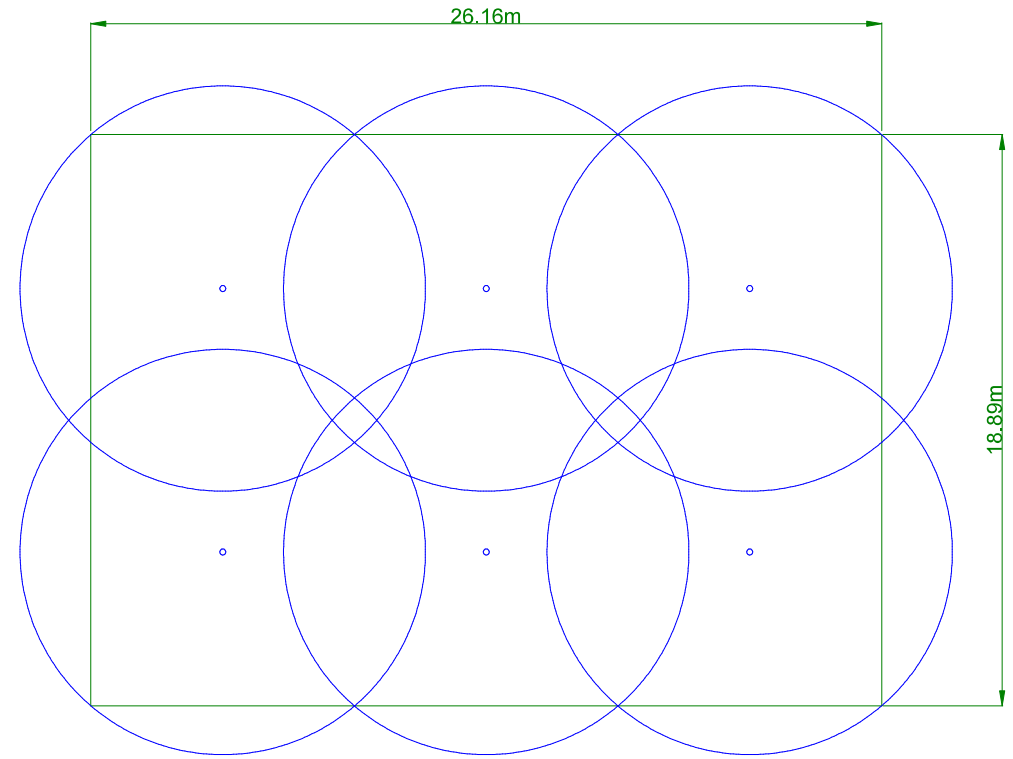


SLW2 x 2
 Uses 0.75 nozzle at 1.7 bar pressure.
 Two zones narrow strips will have significant overthrow



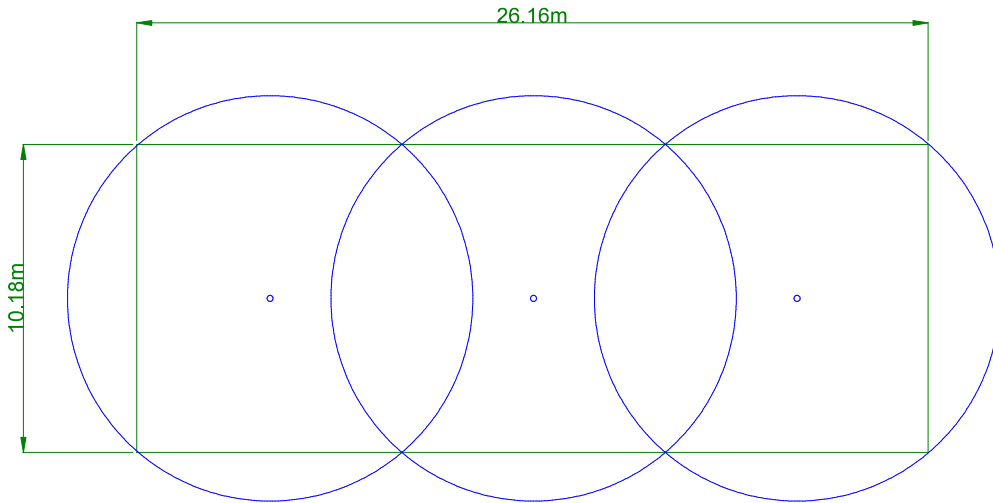
SLW2

Flow required: 720 l/h
at 3.0 bar at nozzle



SLW6

Flow required: 720 l/h
at 3.0 bar at nozzle per
zone - run as 2 zones

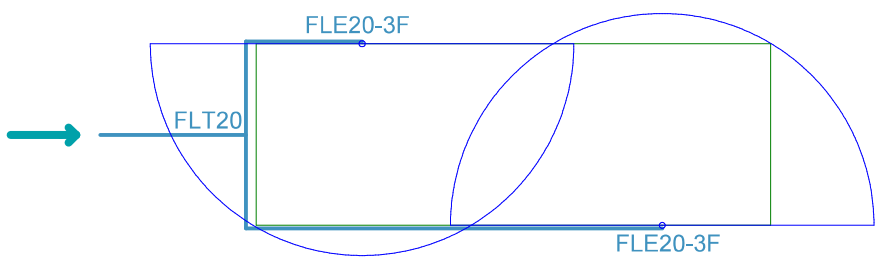


SLW3

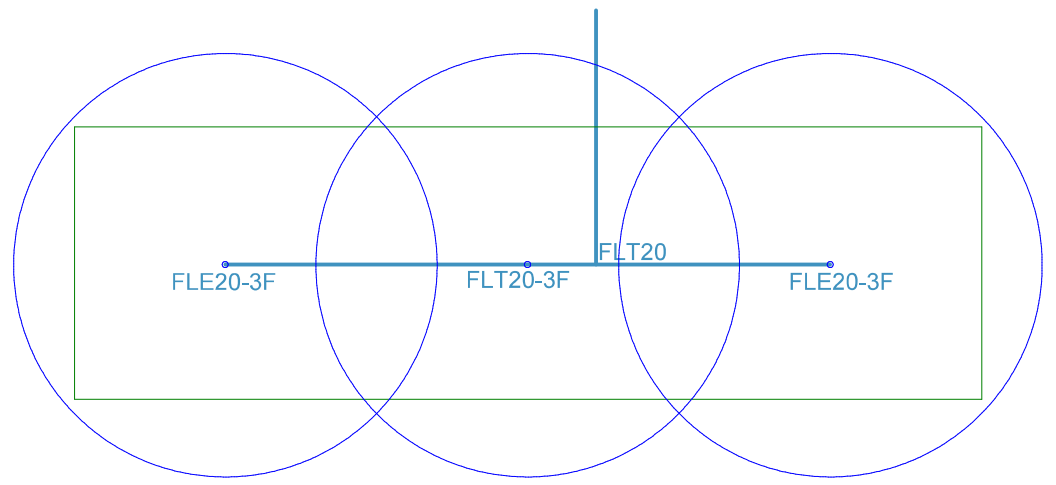
Flow required: 1080 l/h
at 3.0 bar at nozzle

Check mains pressure to ensure 3.0 bar is
available with the flow required

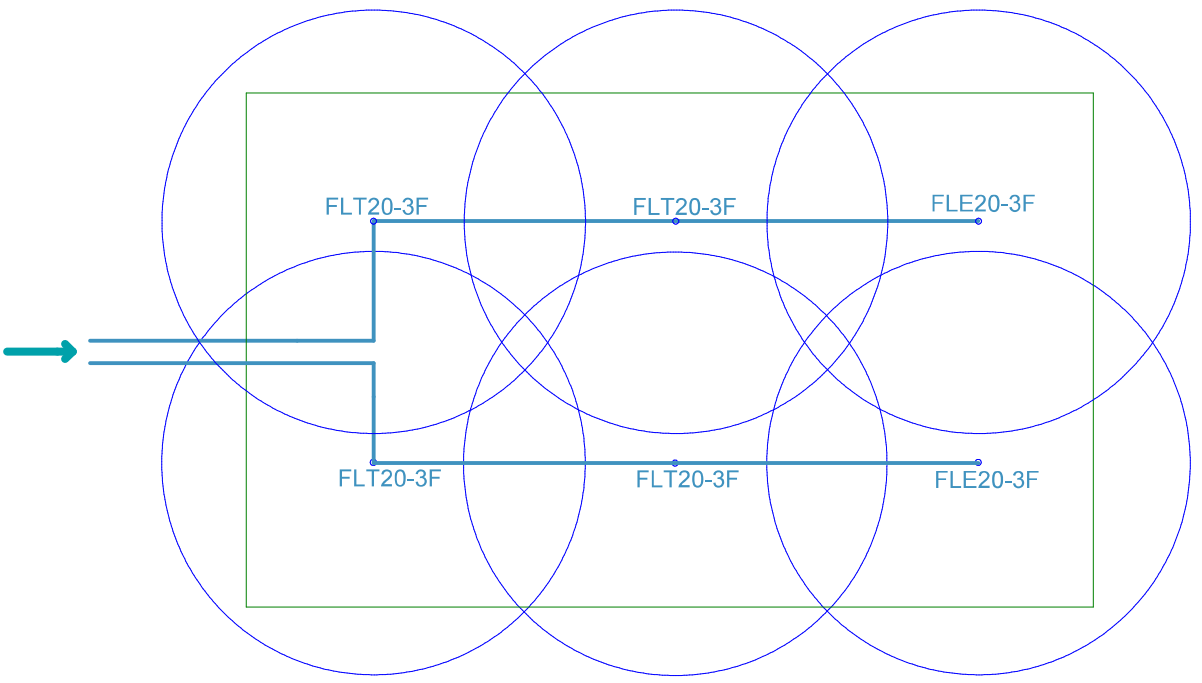
SLW2



SLW3



SLW6



SLW3

